

Part number

# TMAV 06 LG25



Hood, T-TYPE series, with 1 lever, M25 top cable entry, size "44.27"

## Product description

<b>Product type</b>	Hood
<b>Series</b>	T-TYPE
<b>Closing type</b>	With 1 lever
<b>Size</b>	Size "44.27"
<b>Cable entry</b>	Top cable entry with adapter M25

## Technical data

<b>IP degree of protection</b>	IP65 / IP66 / IP69
--------------------------------	--------------------

## Further technical details

<b>Weight</b>	113,00 g
<b>Operating temperature range (min, max)</b>	-40°C ... +90°C

## Material properties

<b>Main material</b>	Polypropylene (PP)
<b>Other materials</b>	Lever: polyamide (PA) Gasket: polyurethane (PUR)
<b>Colour</b>	RAL 7012 grey, RAL 7001 grey
<b>RoHs conformity</b>	Compliant
<b>China RoHs - EFUP</b>	E
<b>REACH SVHC substances</b>	No

## Approvals / Standards

<b>UL</b>	ECBT2
<b>cUL</b>	ECBT8

## General ordering information

<b>EAN13 code</b>	8015747209045
<b>eCl@ss 8.1</b>	27440202
<b>ETIM 7.0</b>	EC000437

## Packaging Information

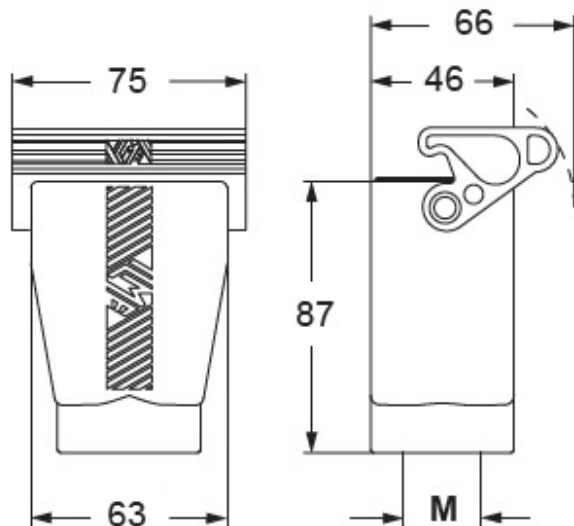
<b>Packaging length</b>	305,00 mm
<b>Packaging height</b>	180,00 mm
<b>Packaging width</b>	275,00 mm
<b>Packaging weight</b>	2,26 kg
<b>Packaging volume</b>	15,10 dm <sup>3</sup>
<b>Packaging description</b>	Carton box
<b>Packaging quantity</b>	20 Pcs
<b>Packaging EAN code</b>	8015747232760
<b>Sub-packaging weight</b>	0,57 kg
<b>Sub-packaging description</b>	Plastic packaging
<b>Sub-packaging quantity</b>	5 Pcs
<b>Sub-packaging EAN barcode</b>	8015747209120

Part number

# TMAV 06 LG25



Catalogue drawings



## Notes

Dimensions shown in mm are not binding and may be changed without notice.

---