

Part number

TMAV 06 L32



Hood, T-TYPE series, with 2 pegs, M32 top cable entry, size "44.27", high construction

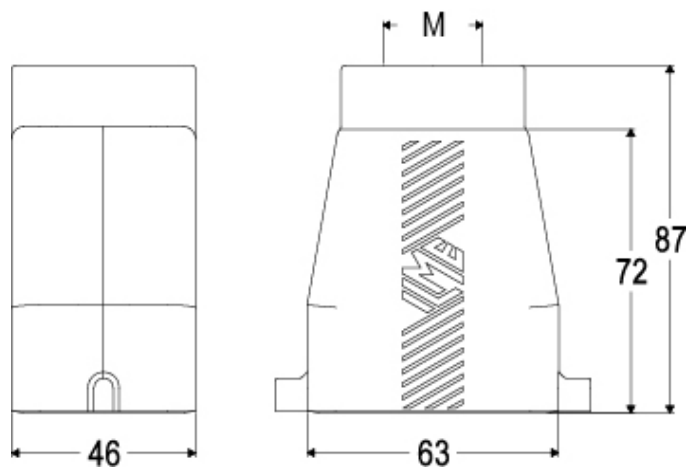
Product description		Material properties	
Product type	Hood	Main material	Polypropylene (PP)
Series	T-TYPE	Colour	RAL 7012 grey
Closing type	With 2 pegs	RoHs conformity	Compliant
Size	Size "44.27"	China RoHs - EFUP	E
Cable entry	Top cable entry with adapter M32	REACH SVHC substances	No
Specification	High construction	Approvals / Standards	
Technical data		UL	ECBT2
IP degree of protection	IP65 / IP66 / IP69	cUL	ECBT8
Further technical details		General ordering information	
Weight	89,00 g	EAN13 code	8015747168748
Operating temperature range (min, max)	-40°C ... +90°C	eCl@ss 8.1	27440202
		ETIM 7.0	EC000437
		Packaging Information	
		Packaging length	270,00 mm
		Packaging height	210,00 mm
		Packaging width	165,00 mm
		Packaging weight	1,78 kg
		Packaging volume	9,36 dm ³
		Packaging description	Carton box
		Packaging quantity	20 Pcs
		Packaging EAN code	8015747171267
		Sub-packaging weight	0,45 kg
		Sub-packaging description	Plastic packaging
		Sub-packaging quantity	5 Pcs
		Sub-packaging EAN barcode	8015747171274

Part number

TMAV 06 L32



Catalogue drawings



Notes

Dimensions shown in mm are not binding and may be changed without notice.
