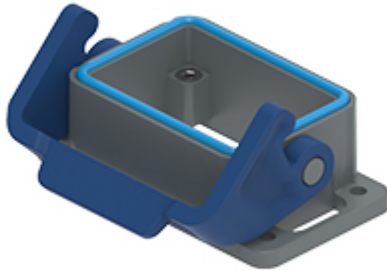


Part number

# THIH 06 L



Bulkhead mounting housing, T-TYPE /H series,  
with 1 lever, size "44.27"

Product description	
<b>Product type</b>	Bulkhead mounting housing
<b>Series</b>	T-TYPE /H
<b>Closing type</b>	With 1 lever
<b>Size</b>	Size "44.27"
Technical data	
<b>IP degree of protection</b>	IP65 / IP66 / IP69
Further technical details	
<b>Weight</b>	58,00 g
<b>Operating temperature range (min, max)</b>	-40°C ... +70°C

Material properties	
<b>Main material</b>	Polypropylene (PP)
<b>Other materials</b>	Lever: polypropylene (PP) Gasket: HNBR
<b>Colour</b>	RAL 7012 grey, RAL 5005 blue
<b>RoHs conformity</b>	Compliant
<b>China RoHs - EFUP</b>	E
<b>REACH SVHC substances</b>	No
General ordering information	
<b>EAN13 code</b>	8015747209755
<b>eCl@ss 8.1</b>	27440202
<b>ETIM 7.0</b>	EC000437

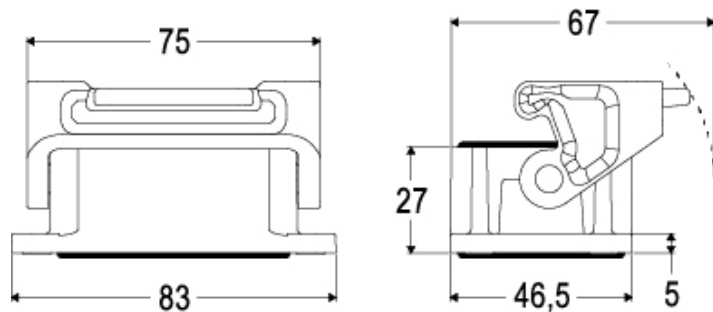
Packaging Information	
<b>Packaging length</b>	260,00 mm
<b>Packaging height</b>	190,00 mm
<b>Packaging width</b>	220,00 mm
<b>Packaging weight</b>	2,55 kg
<b>Packaging volume</b>	10,87 dm <sup>3</sup>
<b>Packaging description</b>	Carton box
<b>Packaging quantity</b>	40 Pcs
<b>Packaging EAN code</b>	8015747209793
<b>Sub-packaging weight</b>	0,32 kg
<b>Sub-packaging description</b>	Plastic packaging
<b>Sub-packaging quantity</b>	5 Pcs
<b>Sub-packaging EAN barcode</b>	8015747209809

Part number

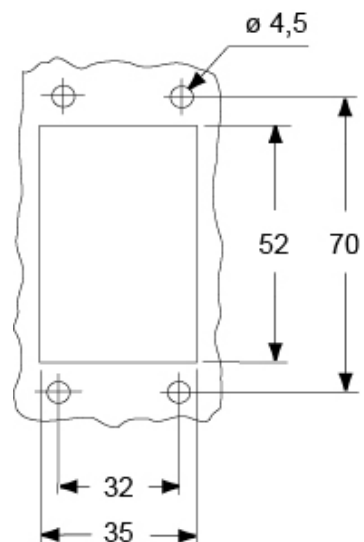
# THIH 06 L



Catalogue drawings



Catalogue drawings



## Notes

Dimensions shown in mm are not binding and may be changed without notice.