

Part number

TAVW 24 G40



Hood, T-TYPE /W series, with 2 levers, M40 top cable entry, size "104.27"

Product description

| | |
|---------------------|----------------------------------|
| Product type | Hood |
| Series | T-TYPE /W |
| Closing type | With 2 levers |
| Size | Size "104.27" |
| Cable entry | Top cable entry with adapter M40 |

Technical data

| | |
|--------------------------------|--------------------|
| IP degree of protection | IP65 / IP66 / IP69 |
|--------------------------------|--------------------|

Further technical details

| | |
|---|-----------------|
| Weight | 170,00 g |
| Operating temperature range (min, max) | -40°C ... +90°C |

Material properties

| | |
|------------------------------|--------------------------------------|
| Main material | Polypropylene (PP) |
| Other materials | Lever: polyamide (PA) Gasket: FKM |
| Colour | RAL 7012 grey, RAL 7001 grey |
| RoHs conformity | Compliant |
| China RoHs - EFUP | E |
| REACH SVHC substances | No |

Approvals / Standards

| | |
|------------|-------|
| UL | ECBT2 |
| cUL | ECBT8 |

General ordering information

| | |
|-------------------|---------------|
| EAN13 code | 8015747212236 |
| eCl@ss 8.1 | 27440202 |
| ETIM 7.0 | EC000437 |

Packaging Information

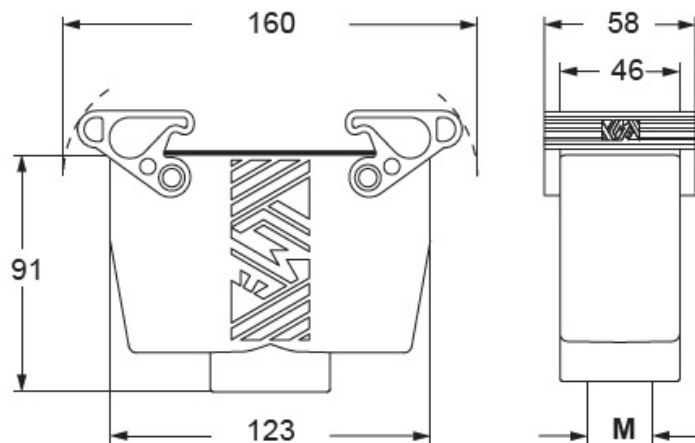
| | |
|----------------------------------|-----------------------|
| Packaging length | 290,00 mm |
| Packaging height | 250,00 mm |
| Packaging width | 360,00 mm |
| Packaging weight | 3,46 kg |
| Packaging volume | 26,10 dm ³ |
| Packaging description | Carton box |
| Packaging quantity | 20 Pcs |
| Packaging EAN code | 8015747261050 |
| Sub-packaging weight | 0,87 kg |
| Sub-packaging description | Plastic packaging |
| Sub-packaging quantity | 5 Pcs |
| Sub-packaging EAN barcode | 8015747212403 |

Part number

TAVW 24 G40



Catalogue drawings



Notes

Dimensions shown in mm are not binding and may be changed without notice.
