

Part number

TAVW 16 G32



Hood, T-TYPE /W series, with 2 levers, M32 side cable entry, size "77.27"

Product description

Product type	Hood
Series	T-TYPE /W
Closing type	With 2 levers
Size	Size "77.27"
Cable entry	Side cable entry with adapter M32

Technical data

IP degree of protection	IP65 / IP66 / IP69
--------------------------------	--------------------

Further technical details

Weight	151,00 g
Operating temperature range (min, max)	-40°C ... +90°C

Material properties

Main material	Polypropylene (PP)
Other materials	Lever: polyamide (PA) Gasket: FKM
Colour	RAL 7012 grey, RAL 7001 grey
RoHS conformity	Compliant
China RoHS - EFUP	E
REACH SVHC substances	No

Approvals / Standards

UL	ECBT2
cUL	ECBT8

General ordering information

EAN13 code	8015747212205
eCl@ss 8.1	27440202
ETIM 7.0	EC000437

Packaging Information

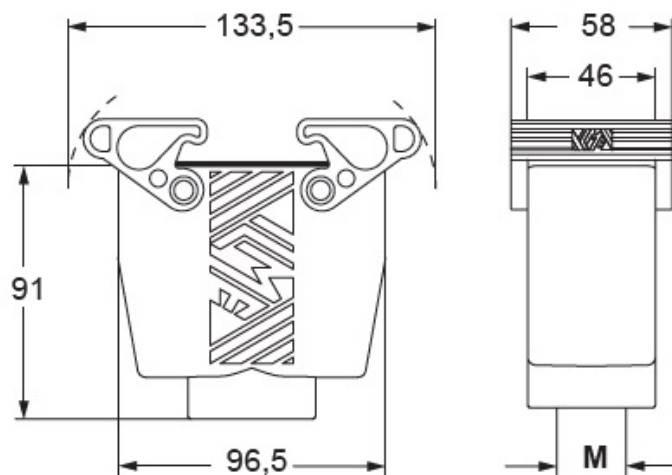
Packaging length	290,00 mm
Packaging height	250,00 mm
Packaging width	360,00 mm
Packaging weight	3,12 kg
Packaging volume	26,10 dm ³
Packaging description	Carton box
Packaging quantity	20 Pcs
Packaging EAN code	8015747261029
Sub-packaging weight	0,78 kg
Sub-packaging description	Plastic packaging
Sub-packaging quantity	5 Pcs
Sub-packaging EAN barcode	8015747212373

Part number

TAVW 16 G32



Catalogue drawings



Notes

Dimensions shown in mm are not binding and may be changed without notice.