

Part number

TAVC 06 LG32



Hood, T-TYPE/C series, with 1 lever, M32 top cable entry, size "44.27"

Product description

Product type	Hood
Series	T-TYPE/C
Closing type	With 1 lever
Size	Size "44.27"
Cable entry	Top cable entry with adapter M32

Technical data

IP degree of protection	IP65 / IP66 / IP69
--------------------------------	--------------------

Further technical details

Weight	100,00 g
Operating temperature range (min, max)	-50°C ... +70°C

Material properties

Main material	Polypropylene (PP)
Other materials	Lever: polypropylene (PP) Gasket: silicone rubber
Colour	RAL 7012 grey, RAL 5005 blue
RoHs conformity	Compliant
China RoHs - EFUP	E
REACH SVHC substances	No

General ordering information

EAN13 code	8015747212250
eCl@ss 8.1	27440202
ETIM 7.0	EC000437

Packaging Information

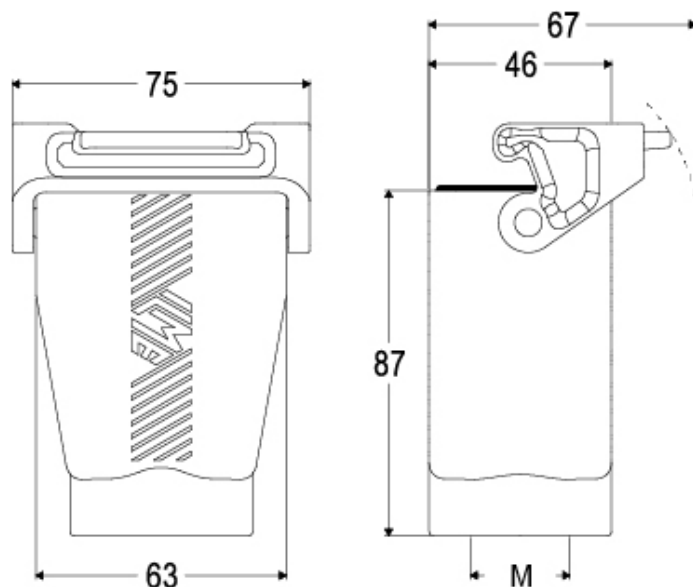
Packaging weight	2,11 kg
Packaging description	Carton box
Packaging quantity	20 Pcs
Packaging EAN code	8015747260916
Sub-packaging weight	0,53 kg
Sub-packaging description	Plastic packaging
Sub-packaging quantity	5 Pcs
Sub-packaging EAN barcode	8015747212427

Part number

TAVC 06 LG32



Catalogue drawings



Notes

Dimensions shown in mm are not binding and may be changed without notice.