

Part number

# TAPW 16.32



Surface mounting housing, T-TYPE /W series,  
with 2 levers, M32 cable entry, size "77.27"

## Product description

|                     |                          |
|---------------------|--------------------------|
| <b>Product type</b> | Surface mounting housing |
| <b>Series</b>       | T-TYPE /W                |
| <b>Closing type</b> | With 2 levers            |
| <b>Size</b>         | Size "77.27"             |
| <b>Cable entry</b>  | M32                      |

## Technical data

|                                |                    |
|--------------------------------|--------------------|
| <b>IP degree of protection</b> | IP65 / IP66 / IP69 |
|--------------------------------|--------------------|

## Further technical details

|   |                 |
|---|-----------------|
| <b>Weight</b>                                 | 189,50 g        |
| <b>Operating temperature range (min, max)</b> | -40°C ... +90°C |

## Material properties

|                              |                                      |
|------------------------------|--------------------------------------|
| <b>Main material</b>         | Polypropylene (PP)                   |
| <b>Other materials</b>       | Lever: polyamide (PA)<br>Gasket: FKM |
| <b>Colour</b>                | RAL 7012 grey, RAL 7001 grey         |
| <b>RoHs conformity</b>       | Compliant                            |
| <b>China RoHs - EFUP</b>     | E                                    |
| <b>REACH SVHC substances</b> | No                                   |

## Approvals / Standards

|            |       |
|------------|-------|
| <b>UL</b>  | ECBT2 |
| <b>cUL</b> | ECBT8 |

## General ordering information

|                   |               |
|-------------------|---------------|
| <b>EAN13 code</b> | 8015747211727 |
| <b>eCl@ss 8.1</b> | 27440202      |
| <b>ETIM 7.0</b>   | EC000437      |

## Packaging Information

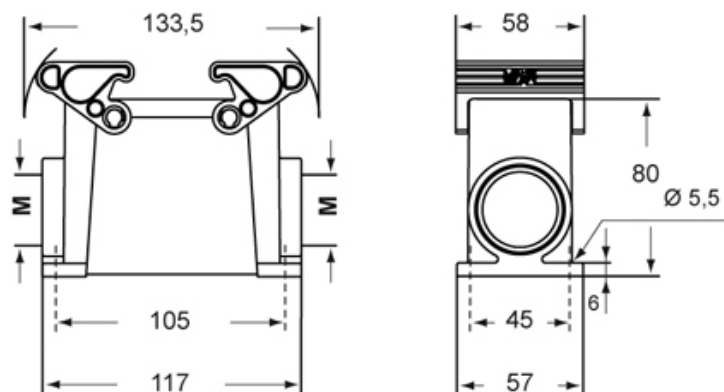
|                                  |                       |
|----------------------------------|-----------------------|
| <b>Packaging length</b>          | 310,00 mm             |
| <b>Packaging height</b>          | 220,00 mm             |
| <b>Packaging width</b>           | 280,00 mm             |
| <b>Packaging weight</b>          | 4,13 kg               |
| <b>Packaging volume</b>          | 19,10 dm <sup>3</sup> |
| <b>Packaging description</b>     | Carton box            |
| <b>Packaging quantity</b>        | 20 Pcs                |
| <b>Packaging EAN code</b>        | 8015747211840         |
| <b>Sub-packaging weight</b>      | 1,03 kg               |
| <b>Sub-packaging description</b> | Plastic packaging     |
| <b>Sub-packaging quantity</b>    | 5 Pcs                 |
| <b>Sub-packaging EAN barcode</b> | 8015747211857         |

Part number

# TAPW 16.32



Catalogue drawings



## Notes

Dimensions shown in mm are not binding and may be changed without notice.