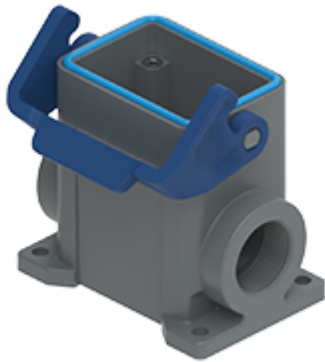


Part number

# TAPC 06 L32



Surface mounting housing, T-TYPE/C series,  
with 1 lever, M32 cable entry, size "44.27"

## Product description

<b>Product type</b>	Surface mounting housing
<b>Series</b>	T-TYPE/C
<b>Closing type</b>	With 1 lever
<b>Size</b>	Size "44.27"
<b>Cable entry</b>	M32

## Technical data

<b>IP degree of protection</b>	IP65 / IP66 / IP69
--------------------------------	--------------------

## Further technical details

<b>Weight</b>	130,00 g
<b>Operating temperature range (min, max)</b>	-50°C ... +70°C

## Material properties

<b>Main material</b>	Polypropylene (PP)
<b>Other materials</b>	Lever: polypropylene (PP) Gasket: silicone rubber
<b>Colour</b>	RAL 7012 grey, RAL 5005 blue
<b>RoHs conformity</b>	Compliant
<b>China RoHs - EFUP</b>	E
<b>REACH SVHC substances</b>	No

## General ordering information

<b>EAN13 code</b>	8015747211932
<b>eCl@ss 8.1</b>	27440202
<b>ETIM 7.0</b>	EC000437

## Packaging Information

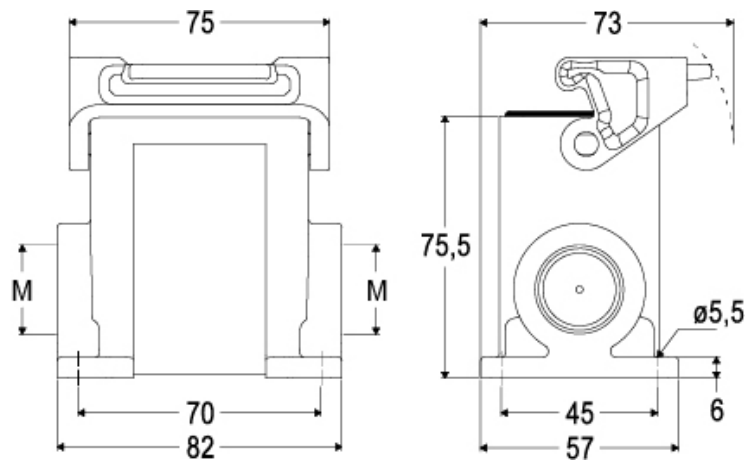
<b>Packaging length</b>	330,00 mm
<b>Packaging height</b>	210,00 mm
<b>Packaging width</b>	180,00 mm
<b>Packaging weight</b>	2,90 kg
<b>Packaging volume</b>	12,47 dm <sup>3</sup>
<b>Packaging description</b>	Carton box
<b>Packaging quantity</b>	20 Pcs
<b>Packaging EAN code</b>	8015747212021
<b>Sub-packaging weight</b>	0,73 kg
<b>Sub-packaging description</b>	Plastic packaging
<b>Sub-packaging quantity</b>	5 Pcs
<b>Sub-packaging EAN barcode</b>	8015747212038

Part number

# TAPC 06 L32



## Catalogue drawings



## Notes

Dimensions shown in mm are not binding and may be changed without notice.

---