

Part number

# MZOS 25 L20



Hood, EMC series, with 2 pegs, M20 side cable entry, size "66.16"

## Product description

<b>Product type</b>	Hood
<b>Series</b>	EMC
<b>Closing type</b>	With 2 pegs
<b>Size</b>	Size "66.16"
<b>Cable entry</b>	Side cable entry with adapter M20

## Technical data

<b>IP degree of protection</b>	IP65 / IP66 / IP69
--------------------------------	--------------------

## Further technical details

<b>Weight</b>	106,00 g
<b>Operating temperature range (min, max)</b>	-40°C...+125°C

## Material properties

<b>RoHs conformity</b>	Compliant
<b>China RoHs - EFUP</b>	E
<b>REACH SVHC substances</b>	No

## Approvals / Standards

<b>Certifications</b>	DNV, BV
<b>UL</b>	ECBT2
<b>cUL</b>	ECBT8

## General ordering information

<b>EAN13 code</b>	8015747154185
<b>eCl@ss 8.1</b>	27440202
<b>ETIM 7.0</b>	EC000437

## Packaging Information

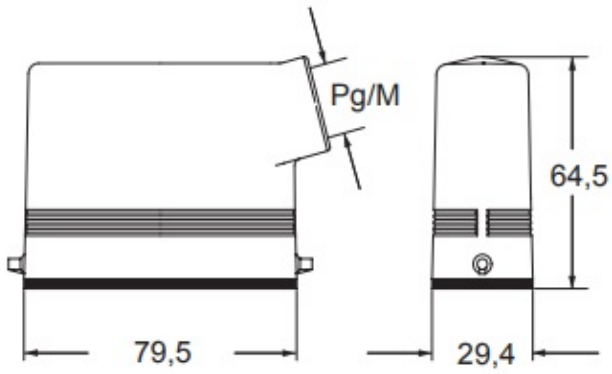
<b>Sub-packaging length</b>	120,00 mm
<b>Sub-packaging height</b>	105,00 mm
<b>Sub-packaging width</b>	160,00 mm
<b>Sub-packaging weight</b>	1,06 kg
<b>Sub-packaging volume</b>	2,02 dm <sup>3</sup>
<b>Sub-packaging description</b>	Carton box
<b>Sub-packaging quantity</b>	10 Pcs
<b>Sub-packaging EAN barcode</b>	8015747110372

Part number

# MZOS 25 L20



Catalogue drawings



## Notes

Dimensions shown in mm are not binding and may be changed without notice.

---