

Part number

# MZO 15 L25



Hood, IL-BRID series, with 2 pegs, M25 side cable entry, size "49.16"

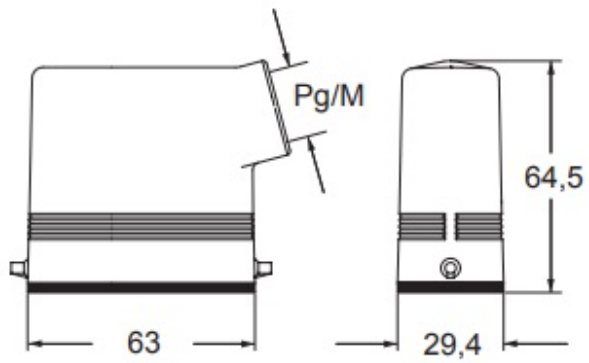
Product description		Material properties	
<b>Product type</b>	Hood	<b>Colour</b>	RAL 7040 grey
<b>Series</b>	IL-BRID	<b>RoHs conformity</b>	Compliant
<b>Closing type</b>	With 2 pegs	<b>China RoHs - EFUP</b>	E
<b>Size</b>	Size "49.16"	<b>REACH SVHC substances</b>	No
<b>Cable entry</b>	Side cable entry with adapter M25	<b>Approvals / Standards</b>	
<b>Technical data</b>		<b>UL</b>	ECBT2
<b>IP degree of protection</b>	IP65 / IP66 / IP69	<b>cUL</b>	ECBT8
<b>Further technical details</b>		<b>General ordering information</b>	
<b>Weight</b>	90,00 g	<b>EAN13 code</b>	8015747060288
<b>Operating temperature range (min, max)</b>	-40°C...+125°C	<b>eCl@ss 8.1</b>	27440202
		<b>ETIM 7.0</b>	EC000437
		<b>Packaging Information</b>	
		<b>Packaging length</b>	270,00 mm
		<b>Packaging height</b>	75,00 mm
		<b>Packaging width</b>	180,00 mm
		<b>Packaging weight</b>	1,96 kg
		<b>Packaging volume</b>	3,65 dm <sup>3</sup>
		<b>Packaging description</b>	Carton box
		<b>Packaging quantity</b>	20 Pcs
		<b>Packaging EAN code</b>	8015747208482
		<b>Sub-packaging weight</b>	0,49 kg
		<b>Sub-packaging description</b>	Plastic packaging
		<b>Sub-packaging quantity</b>	5 Pcs
		<b>Sub-packaging EAN barcode</b>	8015747171557

Part number

# MZO 15 L25



Catalogue drawings



## Notes

Dimensions shown in mm are not binding and may be changed without notice.