

Part number

MZAV 25 L220



Hood, IL-BRID series, with 2 pegs, M20 x 2 double top cable entry, size "66.16", high construction

Product description		Material properties	
Product type	Hood	Colour	RAL 7040 grey
Series	IL-BRID	RoHs conformity	Compliant
Closing type	With 2 pegs	China RoHs - EFUP	E
Size	Size "66.16"	REACH SVHC substances	No
Cable entry	Double top cable entry with adapter M20 x 2	SCIP number	15deaf78-e939-4401-a0b0-e2228ca32a03
Specification	High construction	Approvals / Standards	
Technical data		UL	ECBT2
IP degree of protection	IP65 / IP66 / IP69	cUL	ECBT8
Further technical details		General ordering information	
Weight	207,00 g	EAN13 code	8015747060165
Operating temperature range (min, max)	-40°C...+125°C	eCl@ss 8.1	27440202
		ETIM 7.0	EC000437
		Packaging Information	
		Sub-packaging length	260,00 mm
		Sub-packaging height	115,00 mm
		Sub-packaging width	120,00 mm
		Sub-packaging weight	2,07 kg
		Sub-packaging volume	3,59 dm ³
		Sub-packaging description	Carton box
		Sub-packaging quantity	10 Pcs
		Sub-packaging EAN barcode	8015747060172

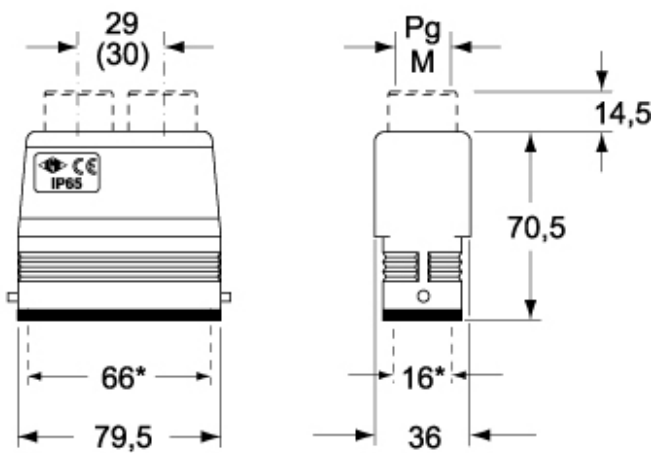
Part number

MZAV 25 L220

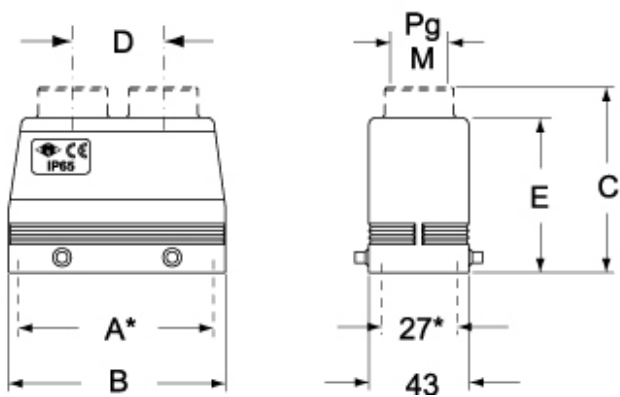


Catalogue drawings

CZAV L2 - (MZAV L2) - [MZFV L2]



CAV - MAV - MFV



Notes

Dimensions shown in mm are not binding and may be changed without notice.