

Part number

MZAP 25LS225



Surface mounting housing, IL-BRID series, with 1 lever, M25 x 2 cable entry, size "66.16", high construction, with metal cover

Product description

Product type	Surface mounting housing
Series	IL-BRID
Closing type	With 1 lever
Size	Size "66.16"
Cable entry	M25 x 2
Specification	High construction, with metal cover

Technical data

IP degree of protection	IP65 / IP66 / IP69
--------------------------------	--------------------

Further technical details

Weight	253,00 g
Operating temperature range (min, max)	-40°C...+125°C

Material properties

Colour	RAL 7040 grey
RoHs conformity	Compliant
China RoHs - EFUP	E
REACH SVHC substances	No

Approvals / Standards

UL	ECBT2
cUL	ECBT8

General ordering information

EAN13 code	8015747060042
eCl@ss 8.1	27440202
ETIM 7.0	EC000437

Packaging Information

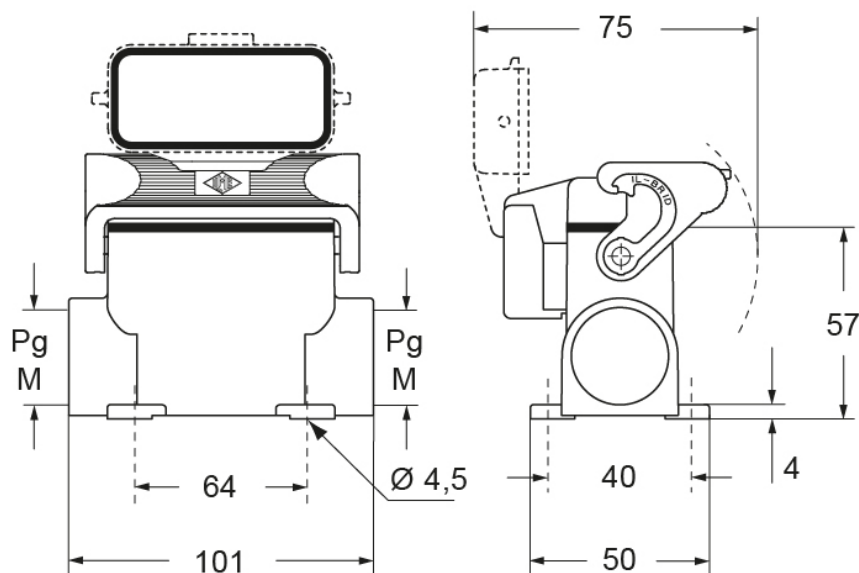
Packaging weight	2,60 kg
Packaging volume	6,60 dm ³
Packaging description	Carton box
Packaging quantity	10 Pcs
Packaging EAN code	8015747060059

Part number

MZAP 25LS225



Catalogue drawings



Notes

Dimensions shown in mm are not binding and may be changed without notice.