

Part number

MMV 16 X32



Hood, 830V series, with 2 levers, M32 top cable entry, size "104.27", without gasket

Product description

Product type	Hood
Series	830V
Closing type	With 2 levers
Size	Size "104.27"
Cable entry	Top cable entry with adapter M32
Specification	Without gasket

Technical data

IP degree of protection	IP65 / IP66 / IP69
--------------------------------	--------------------

Further technical details

Weight	1,00 g
Operating temperature range (min, max)	-40°C...+125°C

Material properties

Colour	RAL 7040 grey
RoHs conformity	Compliant
China RoHs - EFUP	E
REACH SVHC substances	No

Approvals / Standards

Certifications	DNV, BV
UL	ECBT2
cUL	ECBT8

General ordering information

EAN13 code	8015747059046
-------------------	---------------

Packaging Information

Packaging length	180,00 mm
Packaging height	160,00 mm
Packaging width	300,00 mm
Packaging volume	8,64 dm ³
Packaging description	Carton box
Packaging quantity	10 Pcs
Packaging EAN code	8015747198554
Sub-packaging description	Plastic packaging
Sub-packaging quantity	5 Pcs
Sub-packaging EAN barcode	8015747108294

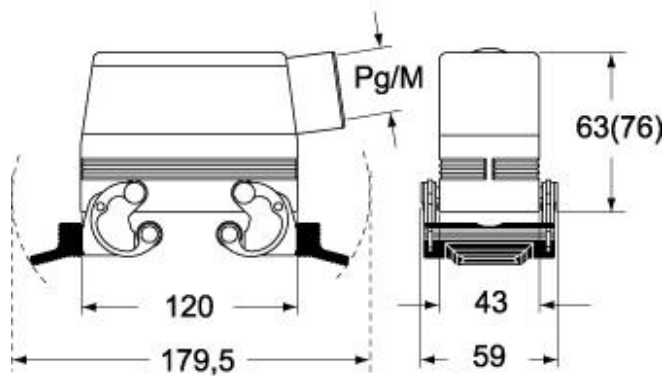
Part number

MMV 16 X32

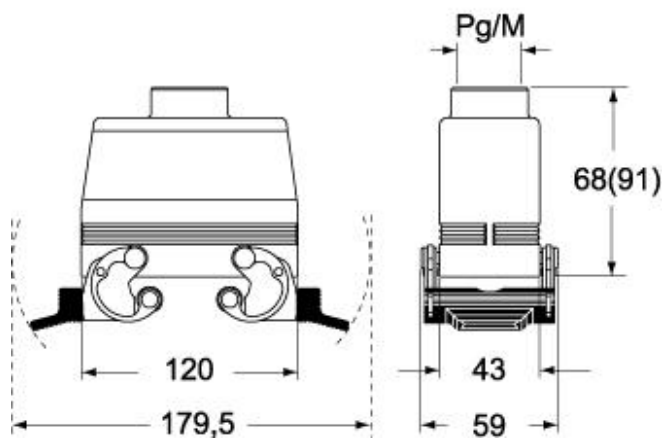


Catalogue drawings

CMO X (CMAO X) - MMO X (MMAO X)



CMV X (CMAV X) - MMV X (MMAV X)



Notes

Dimensions shown in mm are not binding and may be changed without notice.