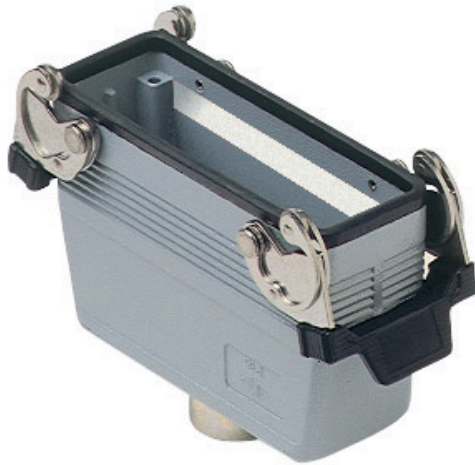


Part number

MMV 16 G32



Hood, 830V series, with 2 levers, M32 top cable entry, size "104.27"

Product description

Product type	Hood
Series	830V
Closing type	With 2 levers
Size	Size "104.27"
Cable entry	Top cable entry with adapter M32

Technical data

IP degree of protection	IP65 / IP66 / IP69
--------------------------------	--------------------

Further technical details

Weight	300,00 g
Operating temperature range (min, max)	-40°C...+125°C

Material properties

Colour	RAL 7040 grey
RoHs conformity	Compliant
China RoHs - EFUP	E
REACH SVHC substances	No

Approvals / Standards

Certifications	DNV, BV
UL	ECBT2
cUL	ECBT8

General ordering information

EAN13 code	8015747058988
-------------------	---------------

Packaging Information

Sub-packaging weight	1,50 kg
Sub-packaging description	Plastic packaging
Sub-packaging quantity	5 Pcs
Sub-packaging EAN barcode	8015747108249

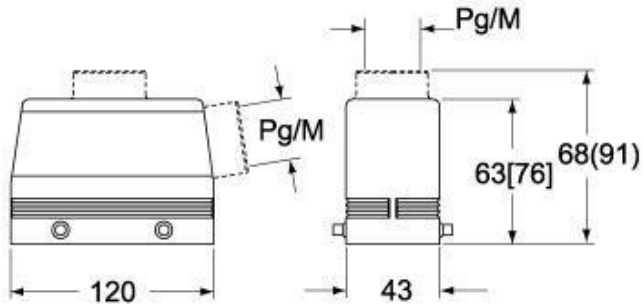
Part number

MMV 16 G32

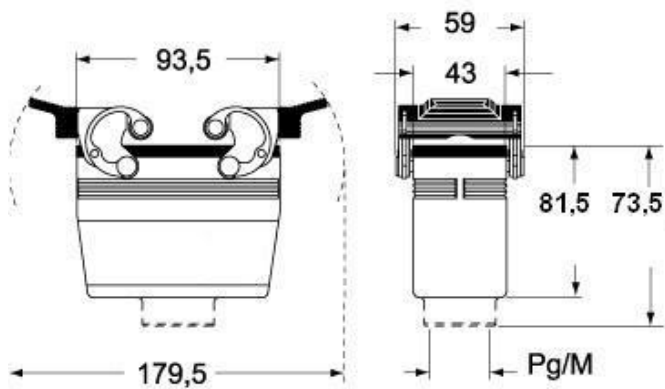


Catalogue drawings

**CMO [CMAO] CMV (CMAV) - MMO [MMAO]
MMV (MMAV)**



CMV G (CMAV G) - MMV G (MMAV G) - [MMFV G]



Notes

Dimensions shown in mm are not binding and may be changed without notice.