

Part number

MMV 06 L25



Hood, 830V series, with 2 pegs, M25 top cable entry, size "77.27"

Product description

Product type	Hood
Series	830V
Closing type	With 2 pegs
Size	Size "77.27"
Cable entry	Top cable entry with adapter M25

Technical data

IP degree of protection	IP65 / IP66 / IP69
--------------------------------	--------------------

Further technical details

Weight	147,00 g
Operating temperature range (min, max)	-40°C...+125°C

Material properties

Colour	RAL 7040 grey
RoHs conformity	Compliant
China RoHs - EFUP	E
REACH SVHC substances	No

Approvals / Standards

Certifications	DNV, BV
UL	ECBT2
cUL	ECBT8

General ordering information

EAN13 code	8015747058902
-------------------	---------------

Packaging Information

Sub-packaging weight	0,74 kg
Sub-packaging description	Plastic packaging
Sub-packaging quantity	5 Pcs
Sub-packaging EAN barcode	8015747108195

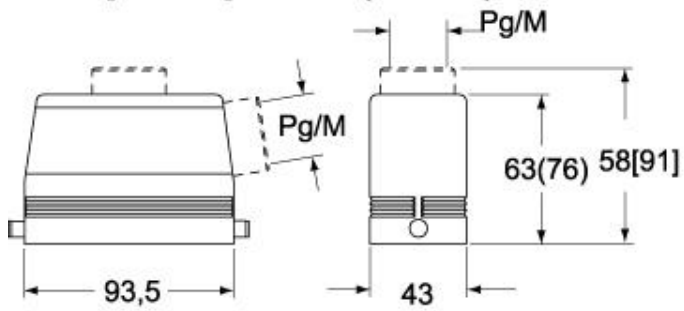
Part number

MMV 06 L25

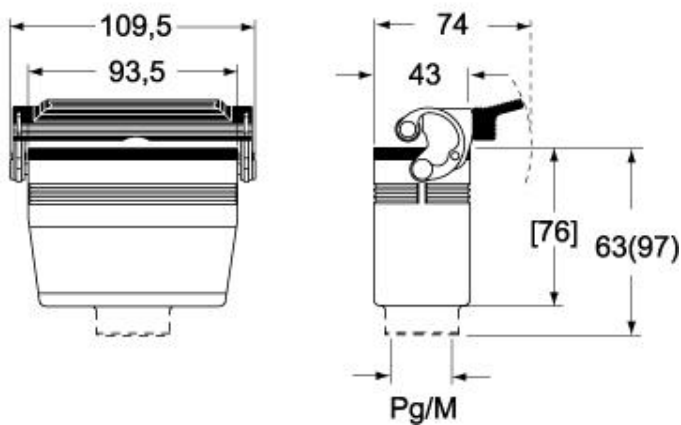


Catalogue drawings

**CMO L (CMAO L) - MMO L [MMAO L]
CMV L [CMAV L] - MMV L (MMAV L)**



**CMV LG (CMAV LG) - MMV LG (MMAV LG)
[MMFV LG]**



Notes

Dimensions shown in mm are not binding and may be changed without notice.