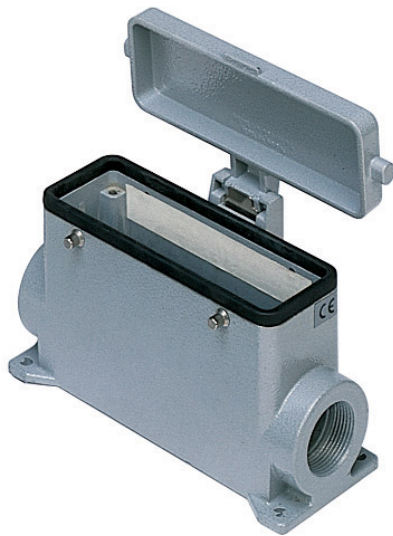


Part number

# MMP 16 CS25



Surface mounting housing, 830V series, with 4 pegs, M25 cable entry, size "104.27", with metal cover

## Product description

<b>Product type</b>	Surface mounting housing
<b>Series</b>	830V
<b>Closing type</b>	With 4 pegs
<b>Size</b>	Size "104.27"
<b>Cable entry</b>	M25
<b>Specification</b>	With metal cover

## Technical data

<b>IP degree of protection</b>	IP65 / IP66 / IP69
--------------------------------	--------------------

## Further technical details

<b>Weight</b>	368,00 g
<b>Operating temperature range (min, max)</b>	-40°C...+125°C

## Material properties

<b>Colour</b>	RAL 7040 grey
<b>RoHs conformity</b>	Compliant
<b>China RoHs - EFUP</b>	E
<b>REACH SVHC substances</b>	No

## Approvals / Standards

<b>Certifications</b>	DNV, BV
<b>UL</b>	ECBT2
<b>cUL</b>	ECBT8

## General ordering information

<b>EAN13 code</b>	8015747058728
-------------------	---------------

## Packaging Information

<b>Packaging length</b>	350,00 mm
<b>Packaging height</b>	160,00 mm
<b>Packaging width</b>	165,00 mm
<b>Packaging volume</b>	9,24 dm <sup>3</sup>
<b>Packaging description</b>	Carton box
<b>Packaging quantity</b>	10 Pcs
<b>Packaging EAN code</b>	8015747198547
<b>Sub-packaging description</b>	Plastic packaging
<b>Sub-packaging quantity</b>	5 Pcs
<b>Sub-packaging EAN barcode</b>	8015747108072

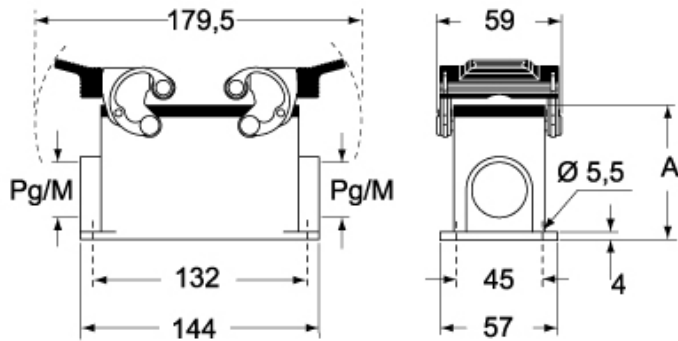
Part number

# MMP 16 CS25

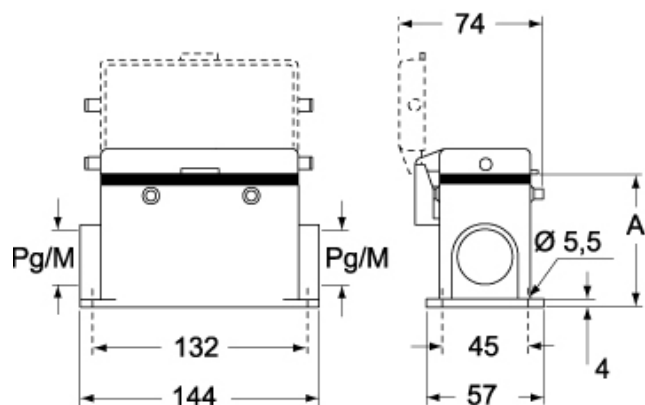


Catalogue drawings

## CMP CMAP - MMP MMAP



## CMP CS/CP CMAP CS/CP - MMP CS/CP MMAP CS/CP



	<b>A</b>
<b>CMP / MMP</b>	63
<b>CMAP / MMAP</b>	80
<b>CMP CS / MMP CS</b>	63
<b>CMAP CS / MMAP CS</b>	80
<b>CMP CP / MMP CP</b>	63
<b>CMAP CP / MMAP CP</b>	80

## Notes

Dimensions shown in mm are not binding and may be changed without notice.