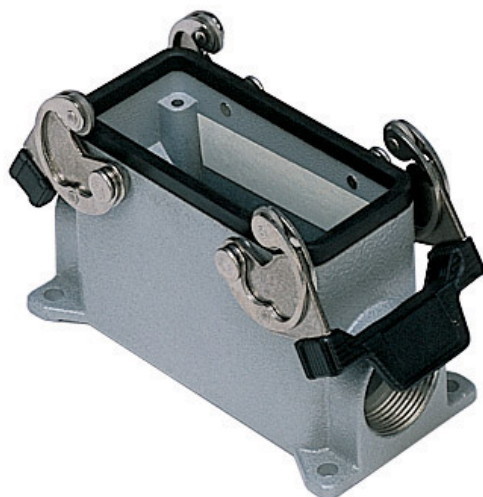


Part number

# MMP 06.225



Surface mounting housing, 830V series, with 2 levers, M25 x 2 cable entry, size "77.27"



#### Product description

<b>Product type</b>	Surface mounting housing
<b>Series</b>	830V
<b>Closing type</b>	With 2 levers
<b>Size</b>	Size "77.27"
<b>Cable entry</b>	M25 x 2

#### Technical data

<b>IP degree of protection</b>	IP65 / IP66 / IP69
--------------------------------	--------------------

#### Further technical details

<b>Weight</b>	336,00 g
<b>Operating temperature range (min, max)</b>	-40°C...+125°C

#### Material properties

<b>Colour</b>	RAL 7040 grey
<b>RoHs conformity</b>	Compliant
<b>China RoHs - EFUP</b>	E
<b>REACH SVHC substances</b>	No

#### Approvals / Standards

<b>Certifications</b>	DNV, BV
<b>UL</b>	ECBT2
<b>cUL</b>	ECBT8

#### General ordering information

<b>EAN13 code</b>	8015747058667
-------------------	---------------

#### Packaging Information

<b>Sub-packaging weight</b>	1,68 kg
<b>Sub-packaging description</b>	Plastic packaging
<b>Sub-packaging quantity</b>	5 Pcs
<b>Sub-packaging EAN barcode</b>	8015747108041

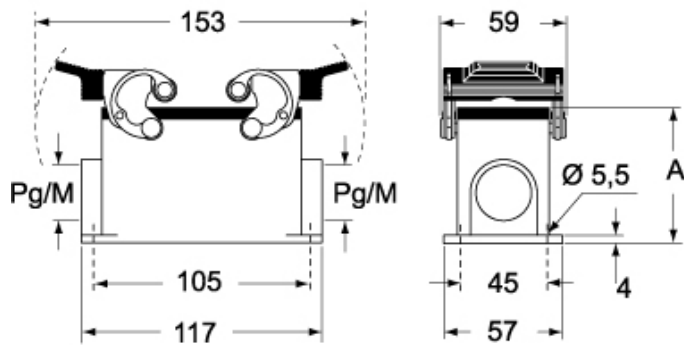
Part number

# MMP 06.225

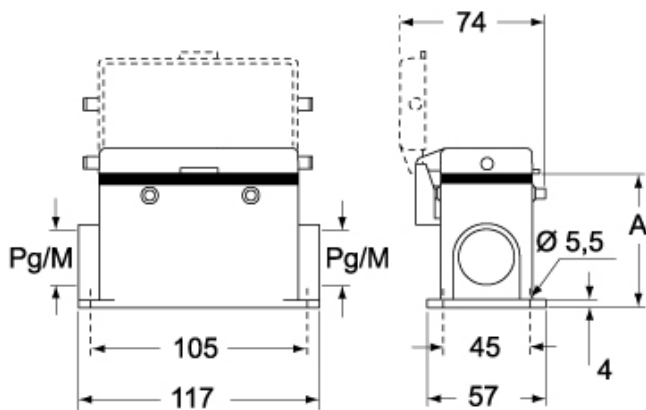


Catalogue drawings

## CMP CMAP - MMP MMAP



## CMP CS/CP CMAP CS/CP - MMP CS/CP MMAP CS/CP



	<b>A</b>
<b>CMP / MMP</b>	63
<b>CMAP / MMAP</b>	77
<b>CMP CS / MMP CS</b>	63
<b>CMAP CS / MMAP CS</b>	77
<b>CMP CP / MMP CP</b>	63
<b>CMAP CP / MMAP CP</b>	77

## Notes

Dimensions shown in mm are not binding and may be changed without notice.