

Part number

# MMO 16.25



Hood, 830V series, with 4 pegs, M25 side cable entry, size "104.27"

#### Product description

<b>Product type</b>	Hood
<b>Series</b>	830V
<b>Closing type</b>	With 4 pegs
<b>Size</b>	Size "104.27"
<b>Cable entry</b>	Side cable entry with adapter M25

#### Technical data

<b>IP degree of protection</b>	IP65 / IP66 / IP69
--------------------------------	--------------------

#### Further technical details

<b>Weight</b>	197,60 g
<b>Operating temperature range (min, max)</b>	-40°C...+125°C

#### Material properties

<b>Colour</b>	RAL 7040 grey
<b>RoHs conformity</b>	Compliant
<b>China RoHs - EFUP</b>	E
<b>REACH SVHC substances</b>	No

#### Approvals / Standards

<b>Certifications</b>	DNV, BV
<b>UL</b>	ECBT2
<b>cUL</b>	ECBT8

#### General ordering information

<b>EAN13 code</b>	8015747058438
-------------------	---------------

#### Packaging Information

<b>Sub-packaging weight</b>	0,99 kg
<b>Sub-packaging description</b>	Plastic packaging
<b>Sub-packaging quantity</b>	5 Pcs
<b>Sub-packaging EAN barcode</b>	8015747058445

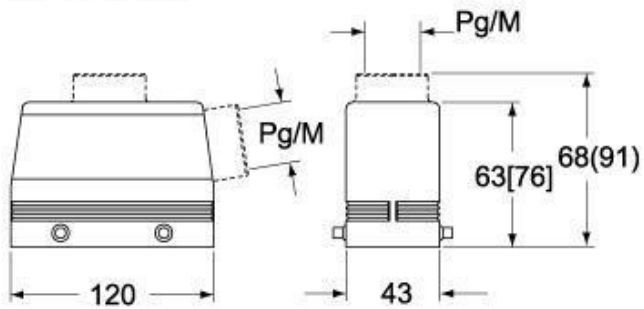
Part number

# MMO 16.25

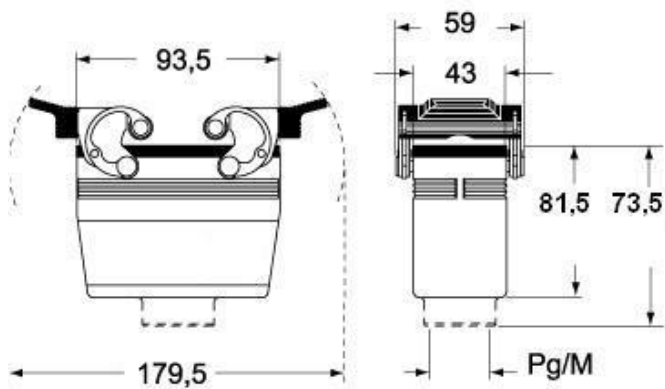


Catalogue drawings

**CMO [CMAO] CMV (CMAV) - MMO [MMAO]  
MMV (MMAV)**



**CMV G (CMAV G) - MMV G (MMAV G) - [MMFV G]**



## Notes

Dimensions shown in mm are not binding and may be changed without notice.