

Part number

MMO 16 L32



Hood, 830V series, with 2 pegs, M32 side cable entry, size "104.27"

Product description		Material properties	
Product type	Hood	Colour	RAL 7040 grey
Series	830V	RoHs conformity	Compliant
Closing type	With 2 pegs	China RoHs - EFUP	E
Size	Size "104.27"	REACH SVHC substances	No
Cable entry	Side cable entry with adapter M32	Approvals / Standards	
Technical data		Certifications	DNV, BV
IP degree of protection	IP65 / IP66 / IP69	UL	ECBT2
Further technical details		cUL	ECBT8
Weight	203,00 g	General ordering information	
Operating temperature range (min, max)	-40°C...+125°C	EAN13 code	8015747058407
		Packaging Information	
		Sub-packaging weight	1,02 kg
		Sub-packaging description	Plastic packaging
		Sub-packaging quantity	5 Pcs
		Sub-packaging EAN barcode	8015747101950

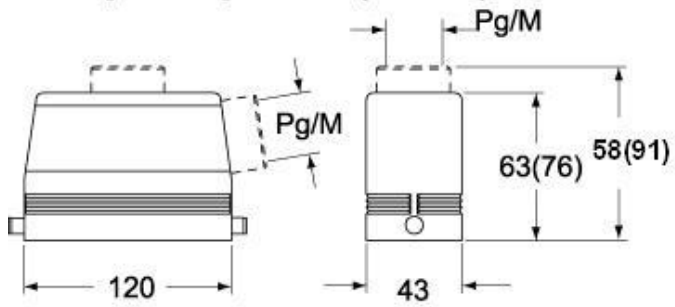
Part number

MMO 16 L32

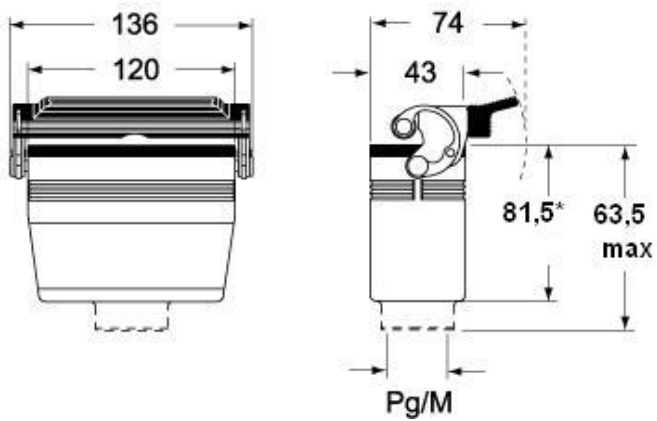


Catalogue drawings

**CMO L (CMAO L) - MMO L [MMAO L]
CMV L [CMAV L] - MMV L (MMAV L)**



**CMV LG (CMAV LG) - MMV LG (MMAV LG)
[MMFV LG]**



Notes

Dimensions shown in mm are not binding and may be changed without notice.