

Part number

# MMAP 06 L240



Surface mounting housing, 830V series, with 1 lever, M40 x 2 cable entry, size "77.27", high construction

## Product description

<b>Product type</b>	Surface mounting housing
<b>Series</b>	830V
<b>Closing type</b>	With 1 lever
<b>Size</b>	Size "77.27"
<b>Cable entry</b>	M40 x 2
<b>Specification</b>	High construction

## Technical data

<b>IP degree of protection</b>	IP65 / IP66 / IP69
--------------------------------	--------------------

## Further technical details

<b>Weight</b>	390,00 g
<b>Operating temperature range (min, max)</b>	-40°C...+125°C

## Material properties

<b>Colour</b>	RAL 7040 grey
<b>RoHs conformity</b>	Compliant
<b>China RoHs - EFUP</b>	E
<b>REACH SVHC substances</b>	No

## Approvals / Standards

<b>Certifications</b>	DNV, BV
<b>UL</b>	ECBT2
<b>cUL</b>	ECBT8

## General ordering information

<b>EAN13 code</b>	8015747057509
-------------------	---------------

## Packaging Information

<b>Sub-packaging weight</b>	1,95 kg
<b>Sub-packaging description</b>	Plastic packaging
<b>Sub-packaging quantity</b>	5 Pcs
<b>Sub-packaging EAN barcode</b>	8015747101233

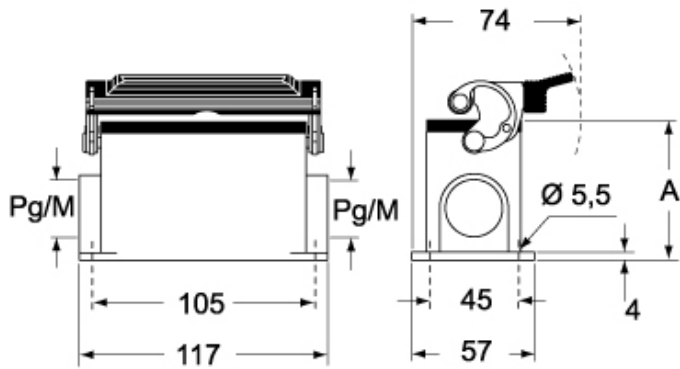
Part number

# MMAP 06 L240

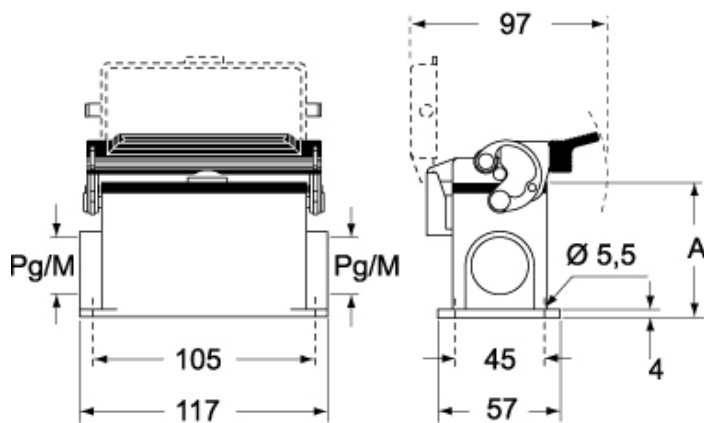


Catalogue drawings

## CMP L CMAP L - MMP L MMAP L



## CMP LS CMAP LS - MMP LS MMAP LS



	<b>A</b>
<b>CMP L / MMP L</b>	63
<b>CMAP L / MMAP L</b>	77
<b>CMP LS / MMP LS</b>	63
<b>CMAP LS / MMAP LS</b>	77

## Notes

Dimensions shown in mm are not binding and may be changed without notice.