

Part number

# MMAO 16 X40



Hood, 830V series, with 2 levers, M40 side cable entry, size "104.27", high construction, without gasket

## Product description

<b>Product type</b>	Hood
<b>Series</b>	830V
<b>Closing type</b>	With 2 levers
<b>Size</b>	Size "104.27"
<b>Cable entry</b>	Side cable entry with adapter M40
<b>Specification</b>	High construction, without gasket

## Technical data

<b>IP degree of protection</b>	IP65 / IP66 / IP69
--------------------------------	--------------------

## Further technical details

<b>Weight</b>	350,00 g
<b>Operating temperature range (min, max)</b>	-40°C...+125°C

## Material properties

<b>Colour</b>	RAL 7040 grey
<b>RoHs conformity</b>	Compliant
<b>China RoHs - EFUP</b>	E
<b>REACH SVHC substances</b>	No

## Approvals / Standards

<b>Certifications</b>	DNV, BV
<b>UL</b>	ECBT2
<b>cUL</b>	ECBT8

## General ordering information

<b>EAN13 code</b>	8015747057189
-------------------	---------------

## Packaging Information

<b>Sub-packaging weight</b>	1,75 kg
<b>Sub-packaging description</b>	Plastic packaging
<b>Sub-packaging quantity</b>	5 Pcs
<b>Sub-packaging EAN barcode</b>	8015747105231

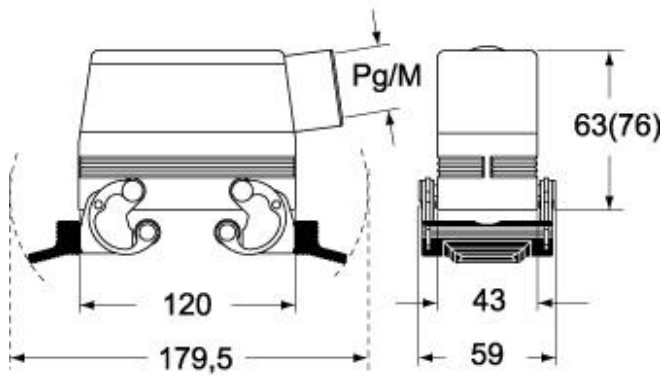
Part number

# MMAO 16 X40

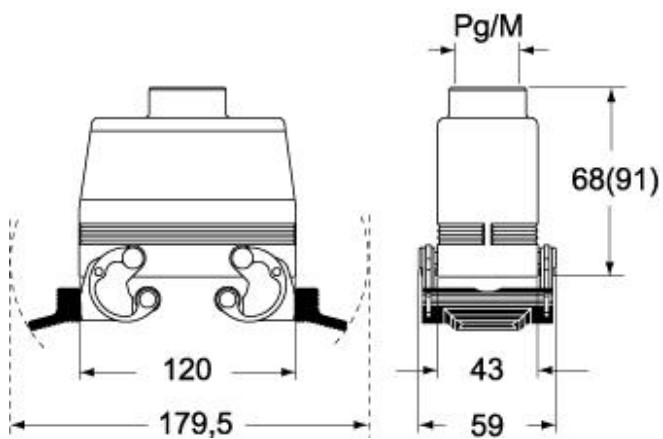


Catalogue drawings

## CMO X (CMAO X) - MMO X (MMAO X)



## CMV X (CMAV X) - MMV X (MMAV X)



## Notes

Dimensions shown in mm are not binding and may be changed without notice.