

Part number

MMAO 16 L40



Hood, 830V series, with 2 pegs, M40 side cable entry, size "104.27", high construction

Product description		Material properties	
Product type	Hood	Colour	RAL 7040 grey
Series	830V	RoHs conformity	Compliant
Closing type	With 2 pegs	China RoHs - EFUP	E
Size	Size "104.27"	REACH SVHC substances	No
Cable entry	Side cable entry with adapter M40	Approvals / Standards	
Specification	High construction	Certifications	DNV, BV
Technical data		UL	ECBT2
IP degree of protection	IP65 / IP66 / IP69	cUL	ECBT8
Further technical details		General ordering information	
Weight	225,00 g	EAN13 code	8015747057165
Operating temperature range (min, max)		Packaging Information	
-40°C...+125°C		Sub-packaging weight	1,13 kg
		Sub-packaging description	Plastic packaging
		Sub-packaging quantity	5 Pcs
		Sub-packaging EAN barcode	8015747100144

Part number

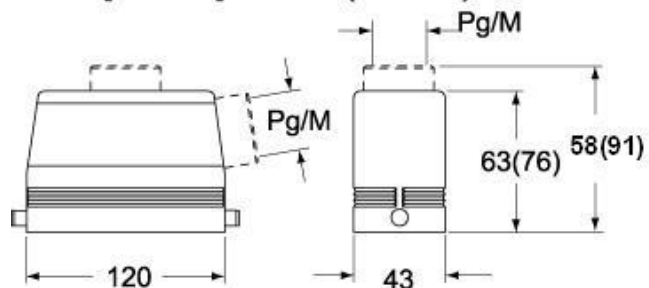
MMAO 16 L40



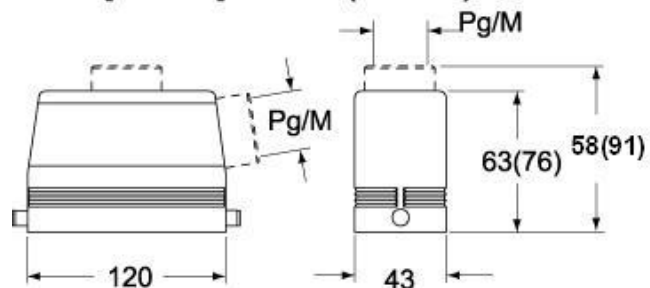
Catalogue drawings

Catalogue drawings

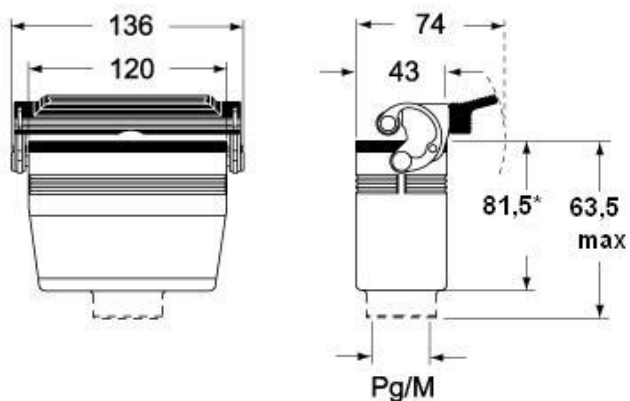
**CMO L (CMAO L) - MMO L [MMAO L]
CMV L [CMAV L] - MMV L (MMAV L)**



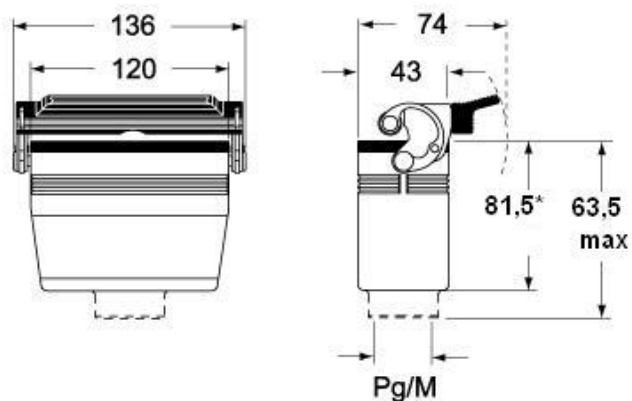
**CMO L (CMAO L) - MMO L [MMAO L]
CMV L [CMAV L] - MMV L (MMAV L)**



**CMV LG (CMAV LG) - MMV LG (MMAV LG)
[MMFV LG]**



**CMV LG (CMAV LG) - MMV LG (MMAV LG)
[MMFV LG]**



Notes

Dimensions shown in mm are not binding and may be changed without notice.