

Part number

MKAX AP20



Angled Bulkhead mounting housing, CKA series, with 1 lever, M20 cable entry, size "21.21", bulkhead hole closed

Product description		Material properties	
Product type	Angled bulkhead mounting housing	Main material	Zinc die-cast
Series	CKA	Colour	RAL 7040 grey
Closing type	With 1 lever	RoHs conformity	Compliant
Size	Size "21.21"	China RoHs - EFUP	E
Cable entry	With cable entry M20	REACH SVHC substances	No
Specification	Bulkhead hole closed	Approvals / Standards	
Technical data		UL	ECBT2
IP degree of protection	IP44 - IP66 / IP67 / IP69 with CKR 65 (D)	cUL	ECBT8
Further technical details		General ordering information	
Weight	71,00 g	EAN13 code	8015747056885
Operating temperature range (min, max)	-40°C...+125°C	eCl@ss 8.1	27440202
		ETIM 7.0	EC000437
		Packaging Information	
		Sub-packaging length	210,00 mm
		Sub-packaging height	40,00 mm
		Sub-packaging width	175,00 mm
		Sub-packaging weight	0,71 kg
		Sub-packaging volume	1,47 dm ³
		Sub-packaging description	Carton box
		Sub-packaging quantity	10 Pcs
		Sub-packaging EAN barcode	8015747056892

Part number

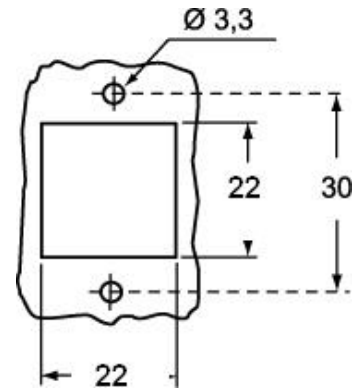
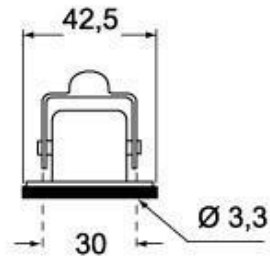
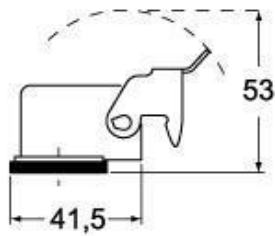
MKAX AP20



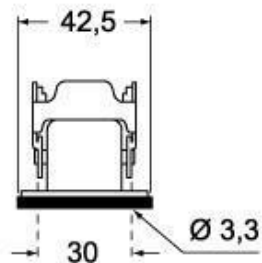
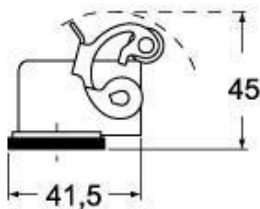
Catalogue drawings

Catalogue drawings

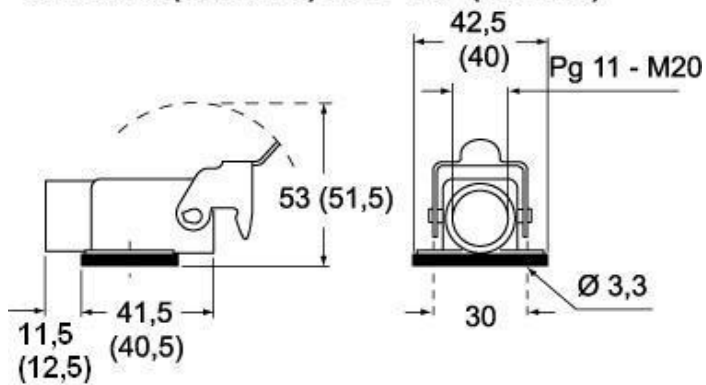
CKA IA



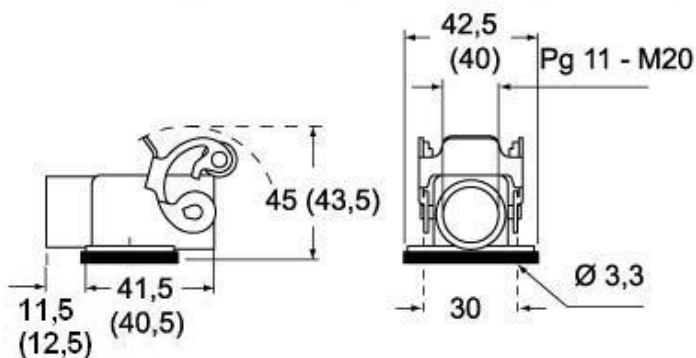
CKAX IA



CKA IAPS (CKA APS) MKA - IAP (MKA AP)



CKAX IAPS (CKAX APS) - MKAX IAP (MKAX AP)



Notes

Dimensions shown in mm are not binding and may be changed without notice.
