

Part number

MKAS VA20



Hood, EMC series, with 2 pegs, M20 side cable entry, size "21.21"

Product description

Product type	Hood
Series	EMC
Closing type	With 2 pegs
Size	Size "21.21"
Cable entry	Side cable entry with adapter M20

Technical data

IP degree of protection	IP44 - IP66 / IP67 / IP69 with CKR 65 (D)
--------------------------------	---

Further technical details

Weight	59,00 g
Operating temperature range (min, max)	-40°C...+125°C

Material properties

Main material	Zinc die-cast
Colour	RAL 7040 grey
RoHs conformity	Compliant
China RoHs - EFUP	E
REACH SVHC substances	No

Approvals / Standards

Certifications	DNV, BV
UL	ECBT2
cUL	ECBT8

General ordering information

EAN13 code	8015747056861
eCl@ss 8.1	27440202
ETIM 7.0	EC000437

Packaging Information

Sub-packaging length	185,00 mm
Sub-packaging height	40,00 mm
Sub-packaging width	155,00 mm
Sub-packaging weight	0,59 kg
Sub-packaging volume	1,15 dm ³
Sub-packaging description	Carton box
Sub-packaging quantity	10 Pcs
Sub-packaging EAN barcode	8015747230667

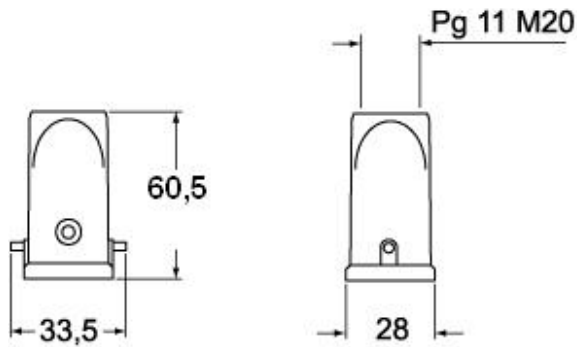
Part number

MKAS VA20

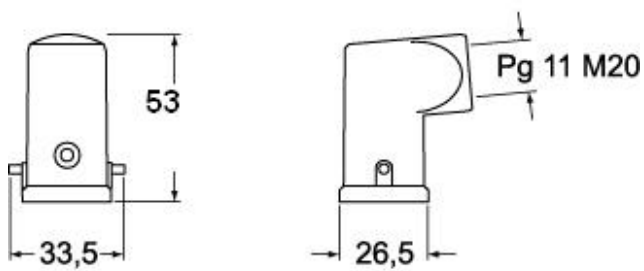


Catalogue drawings

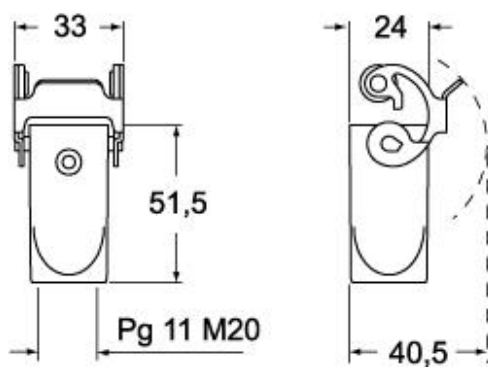
CKAS V - MKAS V



CKAS VA - MKAS VA



CKAXS VG - MKAXS VG



Notes

Dimensions shown in mm are not binding and may be changed without notice.