

Part number

MKAG VA20



Hood, CKA series, with 2 pegs, M20 side cable entry, size "21.21", with gasket

Product description		Material properties	
Product type	Hood	Main material	Zinc die-cast
Series	CKA	Colour	RAL 7040 grey
Closing type	With 2 pegs	RoHs conformity	Compliant
Size	Size "21.21"	China RoHs - EFUP	E
Cable entry	Side cable entry with adapter M20	REACH SVHC substances	No
Specification	With gasket	Approvals / Standards	
Technical data		UL	ECBT2
IP degree of protection	IP65 / IP66 / IP69	cUL	ECBT8
Further technical details		General ordering information	
Weight	59,00 g	EAN13 code	8015747125260
Operating temperature range (min, max)	-40°C...+125°C	eCl@ss 8.1	27440202
		ETIM 7.0	EC000437
		Packaging Information	
		Sub-packaging length	185,00 mm
		Sub-packaging height	40,00 mm
		Sub-packaging width	155,00 mm
		Sub-packaging weight	0,59 kg
		Sub-packaging volume	1,15 dm ³
		Sub-packaging description	Carton box
		Sub-packaging quantity	10 Pcs
		Sub-packaging EAN barcode	8015747125314

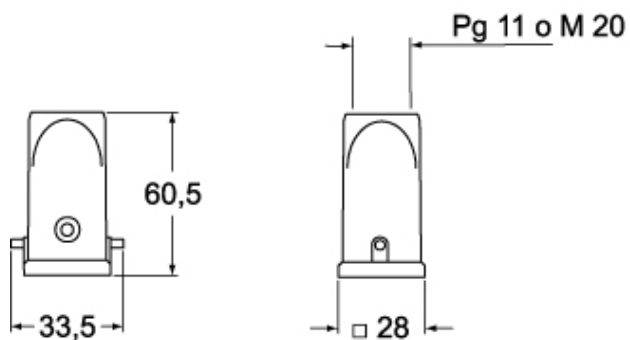
Part number

MKAG VA20

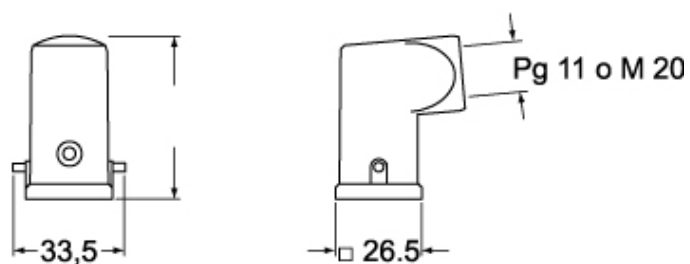


Catalogue drawings

CKAG V MKAG V



CKAG VA MKAG VA



Notes

Dimensions shown in mm are not binding and may be changed without notice.
