

Part number

MKAG V20



Hood, CKA series, with 2 pegs, M20 top cable entry, size "21.21", with gasket

Product description

Product type	Hood
Series	CKA
Closing type	With 2 pegs
Size	Size "21.21"
Cable entry	Top cable entry with adapter M20
Specification	With gasket

Technical data

IP degree of protection	IP44 - IP66 / IP67 / IP69 with CKR 65 (D)
--------------------------------	---

Further technical details

Weight	59,50 g
Operating temperature range (min, max)	-40°C...+125°C

Material properties

Main material	Zinc die-cast
Colour	RAL 7040 grey
RoHs conformity	Compliant
China RoHs - EFUP	E
REACH SVHC substances	No

Approvals / Standards

UL	ECBT2
cUL	ECBT8

General ordering information

EAN13 code	8015747125253
eCl@ss 8.1	27440202
ETIM 7.0	EC000437

Packaging Information

Packaging length	330,00 mm
Packaging height	230,00 mm
Packaging width	205,00 mm
Packaging weight	6,78 kg
Packaging volume	15,56 dm ³
Packaging description	Carton box
Packaging quantity	100 Pcs
Packaging EAN code	8015747125376
Sub-packaging length	185,00 mm
Sub-packaging height	40,00 mm
Sub-packaging width	155,00 mm
Sub-packaging weight	0,68 kg
Sub-packaging volume	1,15 dm ³
Sub-packaging description	Carton box
Sub-packaging quantity	10 Pcs
Sub-packaging EAN barcode	8015747125321

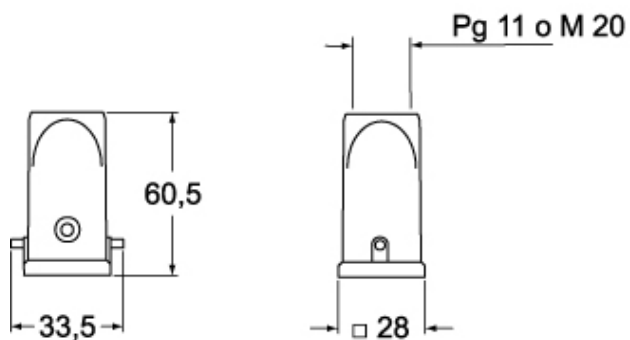
Part number

MKAG V20

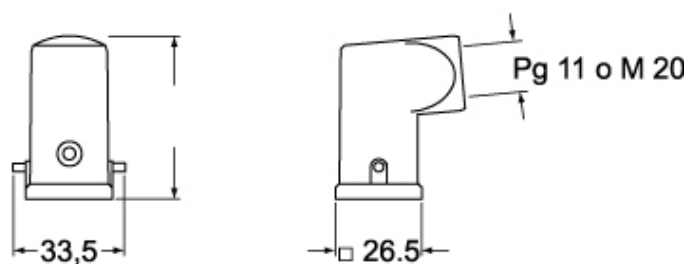


Catalogue drawings

CKAG V MKAG V



CKAG VA MKAG VA



Notes

Dimensions shown in mm are not binding and may be changed without notice.