

Part number
MK V20



Hood, CK series, with 2 pegs, M20 top cable entry, size "21.21", white colour

Product description

| | |
|----------------------|----------------------------------|
| Product type | Hood |
| Series | CK |
| Closing type | With 2 pegs |
| Size | Size "21.21" |
| Cable entry | Top cable entry with adapter M20 |
| Specification | White colour |

Technical data

| | |
|--------------------------------|---|
| IP degree of protection | IP44 - IP66 / IP67 / IP69 with CKR 65 (D) |
|--------------------------------|---|

Further technical details

| | |
|---|----------------|
| Weight | 10,50 g |
| Operating temperature range (min, max) | -40°C...+125°C |

Material properties

| | |
|------------------------------|---------------|
| Colour | RAL 7035 grey |
| RoHs conformity | Compliant |
| China RoHs - EFUP | E |
| REACH SVHC substances | No |

Approvals / Standards

| | |
|------------|-------|
| UL | ECBT2 |
| cUL | ECBT8 |

General ordering information

| | |
|-------------------|---------------|
| EAN13 code | 8015747056533 |
| eCl@ss 8.1 | 27440202 |
| ETIM 7.0 | EC000437 |

Packaging Information

| | |
|----------------------------------|-----------------------|
| Packaging length | 330,00 mm |
| Packaging height | 170,00 mm |
| Packaging width | 230,00 mm |
| Packaging weight | 1,74 kg |
| Packaging volume | 12,90 dm ³ |
| Packaging description | Carton box |
| Packaging quantity | 100 Pcs |
| Packaging EAN code | 8015747056540 |
| Sub-packaging weight | 0,17 kg |
| Sub-packaging description | Carton box |
| Sub-packaging quantity | 10 Pcs |
| Sub-packaging EAN barcode | 8015747056557 |

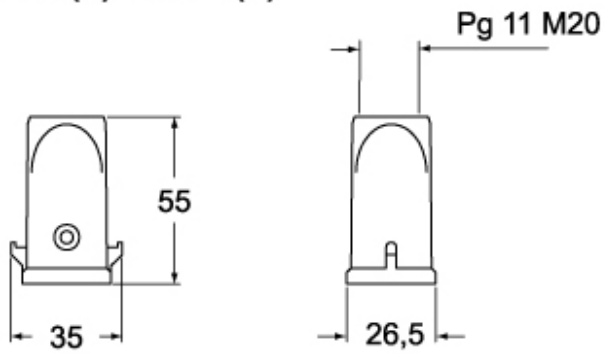
Part number

MK V20

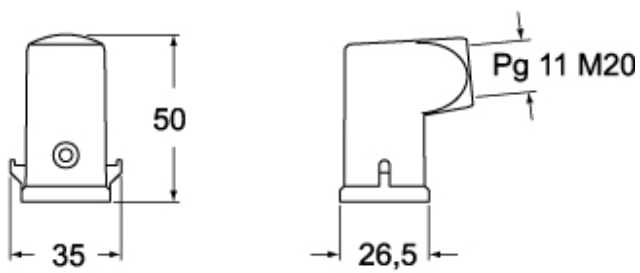


Catalogue drawings

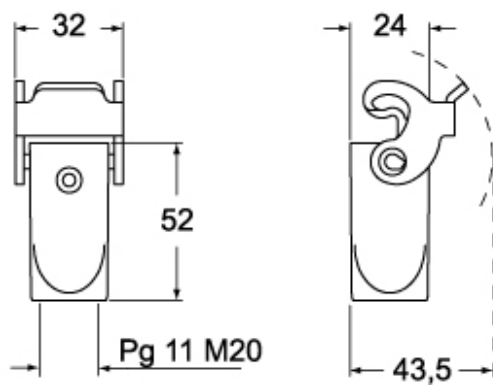
CK V(N)S - MK V(N)



CK VA(N)S - MK VA(N)



CK VG(N)S - MK VG(N)



Notes

Dimensions shown in mm are not binding and may be changed without notice.