

Part number

MK IAPN20



Angled Bulkhead mounting housing, CK series, with 1 lever, M20 cable entry, size "21.21", black colour

Product description

| | |
|----------------------|----------------------------------|
| Product type | Angled bulkhead mounting housing |
| Series | CK |
| Closing type | With 1 lever |
| Size | Size "21.21" |
| Cable entry | With cable entry M20 |
| Specification | Black colour |

Technical data

| | |
|--------------------------------|---|
| IP degree of protection | IP44 - IP66 / IP67 / IP69 with CKR 65 (D) |
|--------------------------------|---|

Further technical details

| | |
|---|----------------|
| Weight | 13,70 g |
| Operating temperature range (min, max) | -40°C...+125°C |

Material properties

| | |
|------------------------------|----------------|
| Colour | RAL 9005 black |
| RoHs conformity | Compliant |
| China RoHs - EFUP | E |
| REACH SVHC substances | No |

Approvals / Standards

| | |
|------------|-------|
| UL | ECBT2 |
| cUL | ECBT8 |

General ordering information

| | |
|-------------------|---------------|
| EAN13 code | 8015747056502 |
| eCl@ss 8.1 | 27440202 |
| ETIM 7.0 | EC000437 |

Packaging Information

| | |
|----------------------------------|-----------------------|
| Packaging length | 360,00 mm |
| Packaging height | 165,00 mm |
| Packaging width | 315,00 mm |
| Packaging weight | 2,46 kg |
| Packaging volume | 18,71 dm ³ |
| Packaging description | Carton box |
| Packaging quantity | 100 Pcs |
| Packaging EAN code | 8015747056519 |
| Sub-packaging weight | 0,25 kg |
| Sub-packaging description | Carton box |
| Sub-packaging quantity | 10 Pcs |
| Sub-packaging EAN barcode | 8015747056526 |

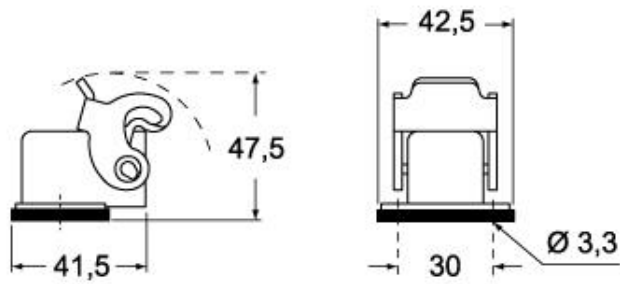
Part number

MK IAPN20

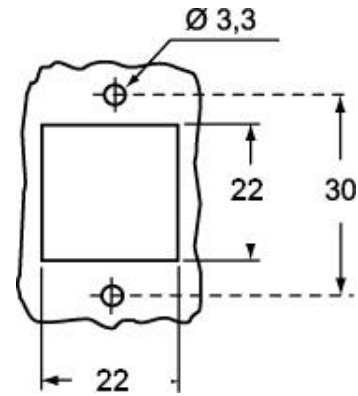


Catalogue drawings

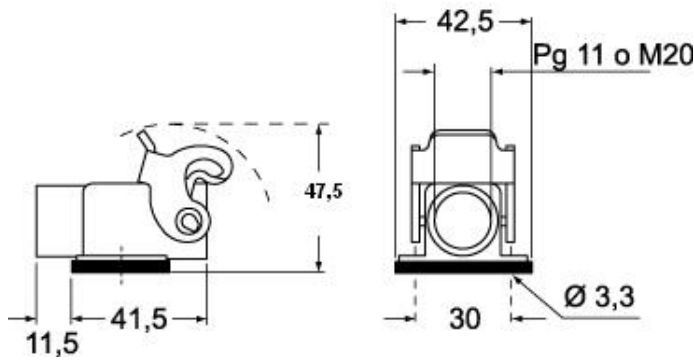
CK IA(N)



Catalogue drawings



CK IAP(N)S - MK IAP (N)



Notes

Dimensions shown in mm are not binding and may be changed without notice.