

Part number

MHVR 48 L40



Hood, 180 °C series, with 2 pegs, M40 top cable entry, size "104.62"

Product description

Product type	Hood
Series	180 °C
Closing type	With 2 pegs
Size	Size "104.62"
Cable entry	Top cable entry with adapter M40

Technical data

IP degree of protection	IP65 / IP66 / IP69
--------------------------------	--------------------

Further technical details

Weight	675,00 g
Operating temperature range (min, max)	-40°C ... +180°C

Material properties

RoHS conformity	Compliant
China RoHS - EFUP	E
REACH SVHC substances	No
SCIP number	15deaf78-e939-4401-a0b0-e2228ca32a03

Approvals / Standards

Certifications	DNV, BV
UL	ECBT2
cUL	ECBT8

General ordering information

EAN13 code	8015747152754
eCl@ss 8.1	27440202
ETIM 7.0	EC000437

Packaging Information

Packaging length	190,00 mm
Packaging height	140,00 mm
Packaging width	290,00 mm
Packaging weight	2,70 kg
Packaging volume	7,71 dm ³
Packaging description	Carton box
Packaging quantity	4 Pcs
Packaging EAN code	8015747003483
Sub-packaging weight	0,68 kg
Sub-packaging description	Plastic packaging
Sub-packaging quantity	1 Pcs
Sub-packaging EAN barcode	8015747003759

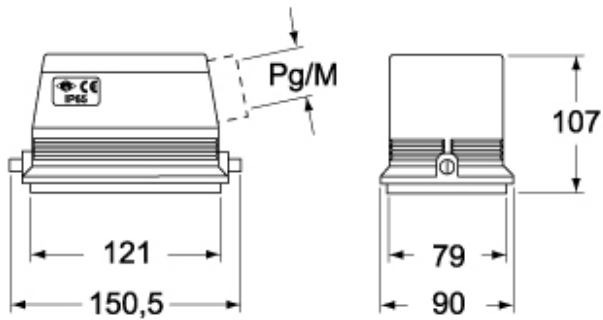
Part number

MHVR 48 L40

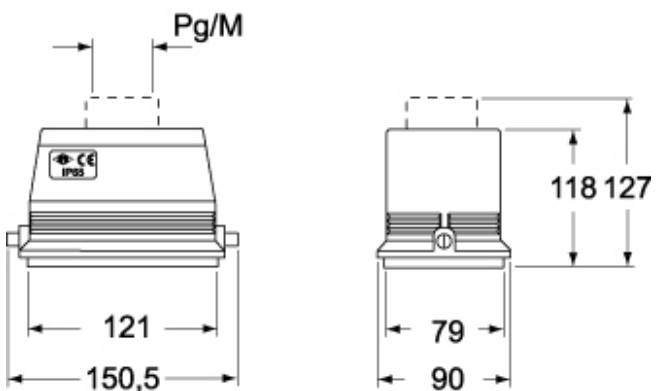


Catalogue drawings

CHOR L - MHOR L



CHVR L - MHVR L



Notes

ITEM NO LONGER AVAILABLE

Alternative products:

Dimensions shown in mm are not binding and may be changed without notice.
