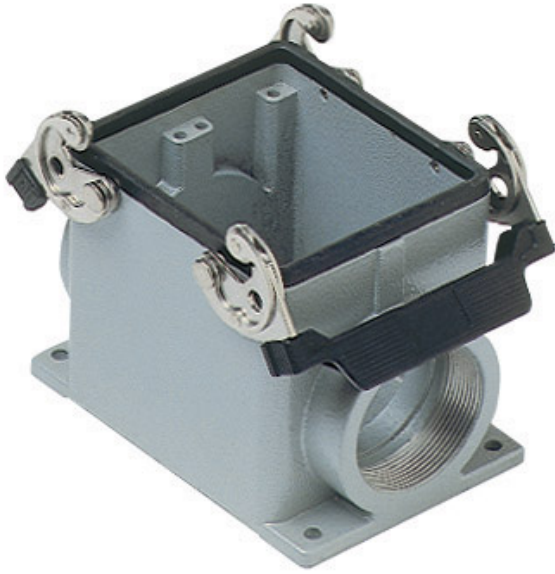


Part number

**MHP 32.40**



Surface mounting housing, C-TYPE series, with  
2 levers, M40 cable entry, size "77.62"

**Product description**

<b>Product type</b>	Surface mounting housing
<b>Series</b>	C-TYPE
<b>Closing type</b>	With 2 levers
<b>Size</b>	Size "77.62"
<b>Cable entry</b>	M40

**Technical data**

<b>IP degree of protection</b>	IP65 / IP66 / IP69
--------------------------------	--------------------

**Further technical details**

<b>Weight</b>	832,00 g
<b>Operating temperature range (min, max)</b>	-40°C...+125°C

**Material properties**

<b>Colour</b>	RAL 7040 grey
<b>RoHs conformity</b>	Compliant
<b>China RoHs - EFUP</b>	E
<b>REACH SVHC substances</b>	No

**Approvals / Standards**

<b>Certifications</b>	DNV, BV
<b>UL</b>	ECBT2
<b>cUL</b>	ECBT8

**General ordering information**

<b>EAN13 code</b>	8015747055093
<b>eCl@ss 8.1</b>	27440202
<b>ETIM 7.0</b>	EC000437

**Packaging Information**

<b>Packaging length</b>	475,00 mm
<b>Packaging height</b>	200,00 mm
<b>Packaging width</b>	150,00 mm
<b>Packaging weight</b>	3,85 kg
<b>Packaging volume</b>	14,25 dm <sup>3</sup>
<b>Packaging description</b>	Carton box
<b>Packaging quantity</b>	4 Pcs
<b>Packaging EAN code</b>	8015747211222
<b>Sub-packaging length</b>	116,00 mm
<b>Sub-packaging height</b>	113,00 mm
<b>Sub-packaging width</b>	142,00 mm
<b>Sub-packaging weight</b>	0,96 kg
<b>Sub-packaging volume</b>	1,86 dm <sup>3</sup>
<b>Sub-packaging description</b>	Plastic packaging
<b>Sub-packaging quantity</b>	1 Pcs
<b>Sub-packaging EAN barcode</b>	8015747127226

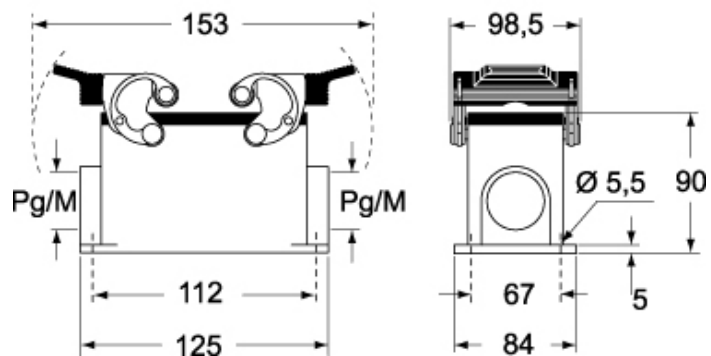
Part number

# MHP 32.40



Catalogue drawings

**CHP - MHP**



## Notes

Dimensions shown in mm are not binding and may be changed without notice.