

Part number

MHO 50 X25



Hood, C-TYPE series, with 2 levers, M25 side cable entry, size "66.40", without gasket

Product description

Product type	Hood
Series	C-TYPE
Closing type	With 2 levers
Size	Size "66.40"
Cable entry	Side cable entry with adapter M25
Specification	Without gasket

Technical data

IP degree of protection	IP65 / IP66 / IP69
--------------------------------	--------------------

Further technical details

Weight	335,00 g
Operating temperature range (min, max)	-40°C...+125°C

Material properties

Colour	RAL 7040 grey
RoHs conformity	Compliant
China RoHs - EFUP	E
REACH SVHC substances	No

Approvals / Standards

Certifications	DNV, BV
UL	ECBT2
cUL	ECBT8

General ordering information

EAN13 code	8015747053846
eCl@ss 8.1	27440202
ETIM 7.0	EC000437

Packaging Information

Packaging length	240,00 mm
Packaging height	150,00 mm
Packaging width	195,00 mm
Packaging weight	3,11 kg
Packaging volume	7,02 dm ³
Packaging description	Carton box
Packaging quantity	10 Pcs
Packaging EAN code	8015747102186

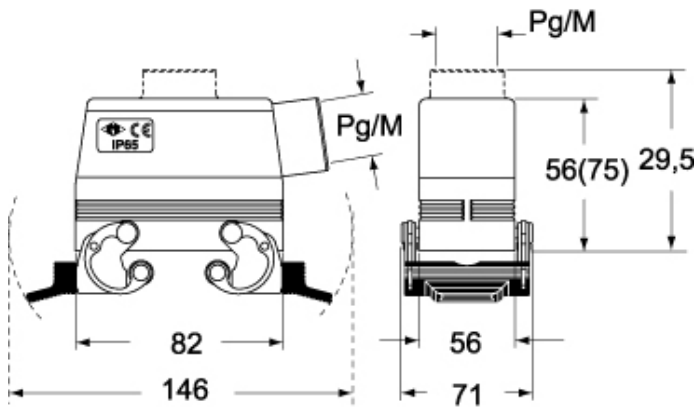
Part number

MHO 50 X25

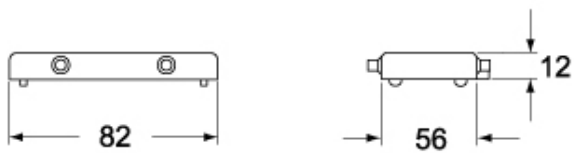


Catalogue drawings

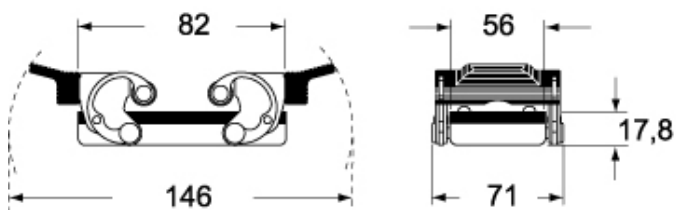
CHO X (CAO X) - CAV X
MHO X (MAO X/MFO X/MFV X) - MAV X



CHC



CHC G



Notes

Dimensions shown in mm are not binding and may be changed without notice.