

Part number

MHO 24 X25



Hood, C-TYPE series, with 2 levers, M25 side cable entry, size "104.27", without gasket

Product description

| | |
|----------------------|-----------------------------------|
| Product type | Hood |
| Series | C-TYPE |
| Closing type | With 2 levers |
| Size | Size "104.27" |
| Cable entry | Side cable entry with adapter M25 |
| Specification | Without gasket |

Technical data

| | |
|--------------------------------|--------------------|
| IP degree of protection | IP65 / IP66 / IP69 |
|--------------------------------|--------------------|

Further technical details

| | |
|---|----------------|
| Weight | 310,00 g |
| Operating temperature range (min, max) | -40°C...+125°C |

Material properties

| | |
|------------------------------|---------------|
| Colour | RAL 7040 grey |
| RoHs conformity | Compliant |
| China RoHs - EFUP | E |
| REACH SVHC substances | No |

Approvals / Standards

| | |
|-----------------------|---------|
| Certifications | DNV, BV |
| UL | ECBT2 |
| cUL | ECBT8 |

General ordering information

| | |
|-------------------|---------------|
| EAN13 code | 8015747053518 |
| eCl@ss 8.1 | 27440202 |
| ETIM 7.0 | EC000437 |

Packaging Information

| | |
|----------------------------------|----------------------|
| Packaging length | 180,00 mm |
| Packaging height | 160,00 mm |
| Packaging width | 300,00 mm |
| Packaging weight | 340,21 kg |
| Packaging volume | 8,64 dm ³ |
| Packaging description | Carton box |
| Packaging quantity | 10 Pcs |
| Packaging EAN code | 8015747053525 |
| Sub-packaging weight | 170,11 kg |
| Sub-packaging description | Plastic packaging |
| Sub-packaging quantity | 5 Pcs |
| Sub-packaging EAN barcode | 8015747053532 |

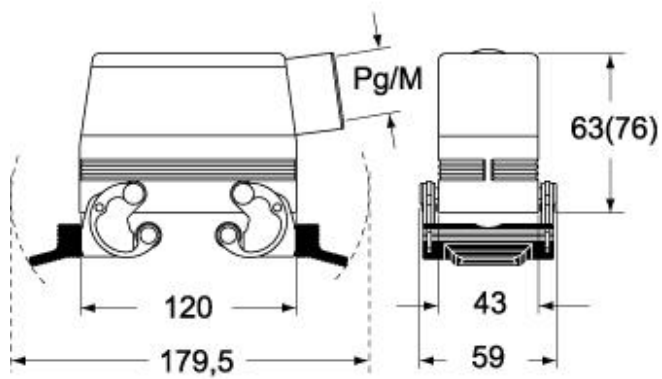
Part number

MHO 24 X25

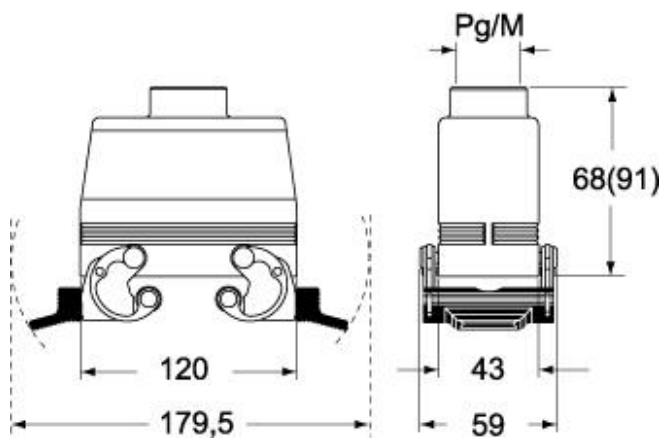


Catalogue drawings

CHO X (CAO X) - MHO X (MAO X)



CHV X (CAV X) - MHV X (MAV X)



Notes

Dimensions shown in mm are not binding and may be changed without notice.