

Part number

# MGP 16.40



Surface mounting housing, IP68 series, for 2 screws, M40 cable entry, size "77.27"

#### Product description

<b>Product type</b>	Surface mounting housing
<b>Series</b>	IP68
<b>Closing type</b>	For 2 screws
<b>Size</b>	Size "77.27"
<b>Cable entry</b>	M40

#### Technical data

<b>IP degree of protection</b>	IP66 / IP68 / IP69
--------------------------------	--------------------

#### Further technical details

<b>Weight</b>	956,00 g
<b>Operating temperature range (min, max)</b>	-40°C...+125°C

#### Material properties

<b>Main material</b>	Aluminium die-cast
<b>Other materials</b>	Gasket: NBR
<b>Colour</b>	RAL 9005 black
<b>RoHs conformity</b>	Compliant
<b>China RoHs - EFUP</b>	E
<b>REACH SVHC substances</b>	No

#### Approvals / Standards

<b>Certifications</b>	DNV, BV
<b>UL</b>	ECBT2
<b>cUL</b>	ECBT8

#### General ordering information

<b>EAN13 code</b>	8015747142137
<b>eCl@ss 8.1</b>	27440202
<b>ETIM 7.0</b>	EC000437

#### Packaging Information

<b>Packaging length</b>	205,00 mm
<b>Packaging height</b>	135,00 mm
<b>Packaging width</b>	135,00 mm
<b>Packaging weight</b>	1,91 kg
<b>Packaging volume</b>	3,74 dm <sup>3</sup>
<b>Packaging description</b>	Carton box
<b>Packaging quantity</b>	2 Pcs
<b>Packaging EAN code</b>	8015747142649
<b>Sub-packaging weight</b>	0,96 kg
<b>Sub-packaging description</b>	Plastic packaging
<b>Sub-packaging quantity</b>	1 Pcs
<b>Sub-packaging EAN barcode</b>	8015747142656

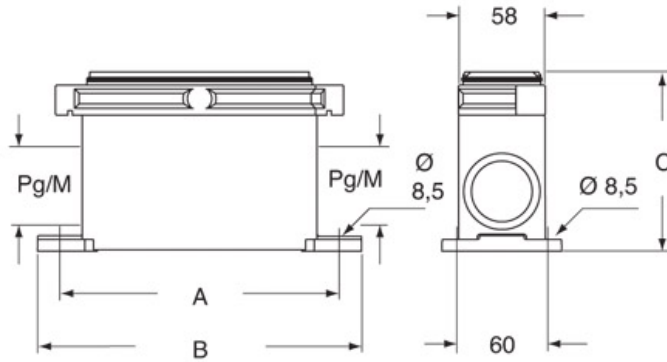
Part number

# MGP 16.40



Catalogue drawings

## CGP - MGP



	A	B	C
CGP 06 - MGP 06	127	156	110
CGP 10 - MGP 10	140	169	110
CGP 16 - MGP 16	160	189	121
CGP 24 - MGP 24	187	216	121

## Notes

Dimensions shown in mm are not binding and may be changed without notice.