

Part number

MGK V20



Hood, IP68 series, with 2 screws, M20 top cable entry, size "21.21"

Product description

Product type	Hood
Series	IP68
Closing type	With 2 screws
Size	Size "21.21"
Cable entry	Top cable entry with adapter M20

Technical data

IP degree of protection	IP66 / IP68 / IP69
--------------------------------	--------------------

Further technical details

Weight	77,00 g
Operating temperature range (min, max)	-40°C...+125°C

Material properties

Main material	Aluminium die-cast
Colour	RAL 9005 black
RoHs conformity	Compliant
China RoHs - EFUP	E
REACH SVHC substances	No

Approvals / Standards

Certifications	DNV, BV
UL	ECBT2
cUL	ECBT8

General ordering information

EAN13 code	8015747174589
eCl@ss 8.1	27440202
ETIM 7.0	EC000437

Packaging Information

Packaging weight	0,83 kg
Packaging description	Carton box
Packaging quantity	10 Pcs
Packaging EAN code	8015747174695
Sub-packaging length	145,00 mm
Sub-packaging height	89,00 mm
Sub-packaging width	120,00 mm
Sub-packaging weight	0,08 kg
Sub-packaging volume	1,55 dm ³
Sub-packaging description	Plastic bag
Sub-packaging quantity	1 Pcs
Sub-packaging EAN barcode	8015747174701

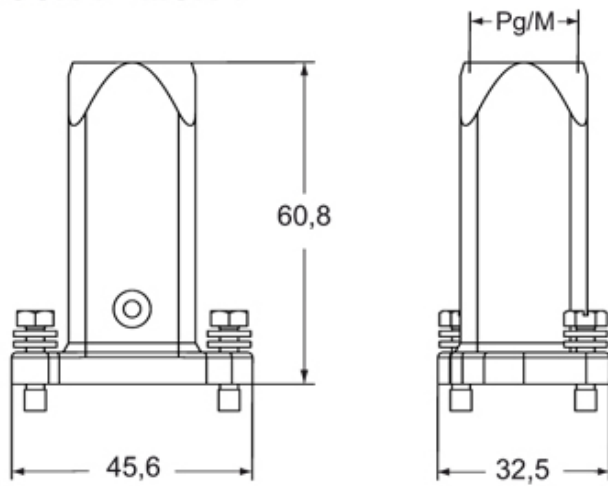
Part number

MGK V20



Catalogue drawings

CGK V - MGK V



Notes

Dimensions shown in mm are not binding and may be changed without notice.