

Part number

MFV 32.32



Hood, C-TYPE series, with 4 pegs, M32 top cable entry without adapter, size "77.62"

Product description

Product type	Hood
Series	C-TYPE
Closing type	With 4 pegs
Size	Size "77.62"
Cable entry	Top cable entry M32

Technical data

IP degree of protection	IP65 / IP66 / IP69
--------------------------------	--------------------

Further technical details

Weight	378,00 g
Operating temperature range (min, max)	-40°C...+125°C

Material properties

Colour	RAL 7040 grey
RoHs conformity	Compliant
China RoHs - EFUP	E
REACH SVHC substances	No

Approvals / Standards

Certifications	DNV, BV
UL	ECBT2
cUL	ECBT8

General ordering information

EAN13 code	8015747152273
eCl@ss 8.1	27440202
ETIM 7.0	EC000437

Packaging Information

Packaging length	255,00 mm
Packaging height	195,00 mm
Packaging width	245,00 mm
Packaging weight	4,02 kg
Packaging volume	12,18 dm ³
Packaging description	Carton box
Packaging quantity	8 Pcs
Packaging EAN code	8015747200240
Sub-packaging weight	0,50 kg
Sub-packaging description	Plastic packaging
Sub-packaging quantity	1 Pcs
Sub-packaging EAN barcode	8015747200257

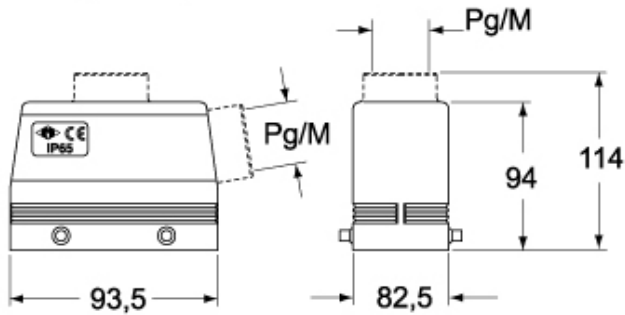
Part number

MFV 32.32

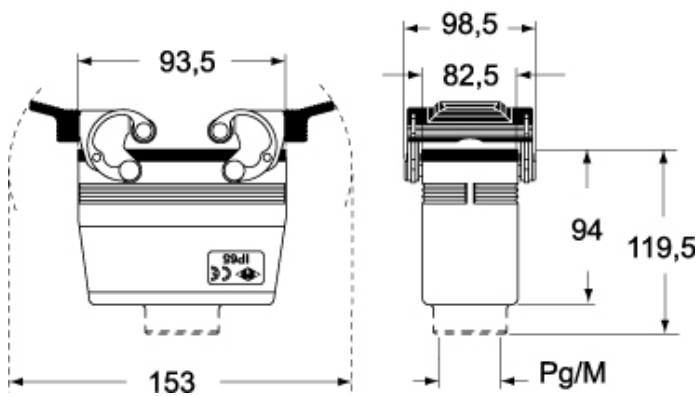


Catalogue drawings

CHO - CHV MHO/MFO/MFV - MHV MMV (MMAV)



CHV G - MHV G - MFV G



Notes

Dimensions shown in mm are not binding and may be changed without notice.