

Part number

MFV 32 X40



Hood, C-TYPE series, with 2 levers, M40 top cable entry without adapter, size "77.62", without gasket

Product description

Product type	Hood
Series	C-TYPE
Closing type	With 2 levers
Size	Size "77.62"
Cable entry	Top cable entry M40
Specification	Without gasket

Technical data

IP degree of protection	IP65 / IP66 / IP69
--------------------------------	--------------------

Further technical details

Weight	452,00 g
Operating temperature range (min, max)	-40°C...+125°C

Material properties

Colour	RAL 7040 grey
RoHs conformity	Compliant
China RoHs - EFUP	E
REACH SVHC substances	No

Approvals / Standards

Certifications	DNV, BV
UL	ECBT2
cUL	ECBT8

General ordering information

EAN13 code	8015747152266
eCl@ss 8.1	27440202
ETIM 7.0	EC000437

Packaging Information

Packaging weight	3,92 kg
Packaging volume	14,20 dm ³
Packaging description	Carton box
Packaging quantity	8 Pcs
Packaging EAN code	8015747217811
Sub-packaging weight	0,49 kg
Sub-packaging description	Plastic packaging
Sub-packaging quantity	1 Pcs
Sub-packaging EAN barcode	8015747217828

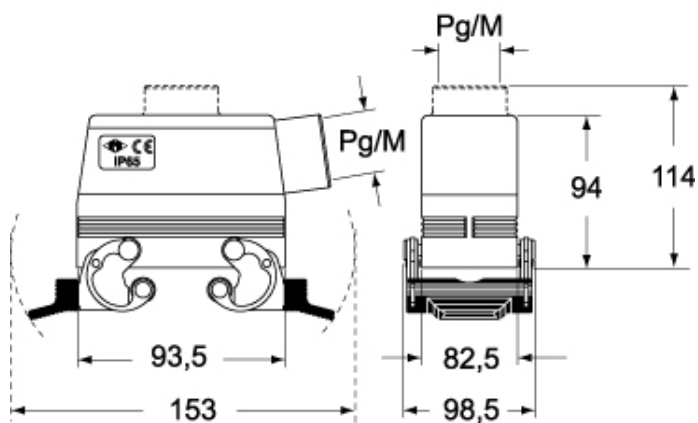
Part number

MFV 32 X40



Catalogue drawings

CHO X - CHV X MHO/MFO/MFV X - MHV X



Notes

Dimensions shown in mm are not binding and may be changed without notice.