

Part number

MFV 10 G40



Hood, C-TYPE series, with 2 levers, M40 top cable entry without adapter, size "57.27", high construction

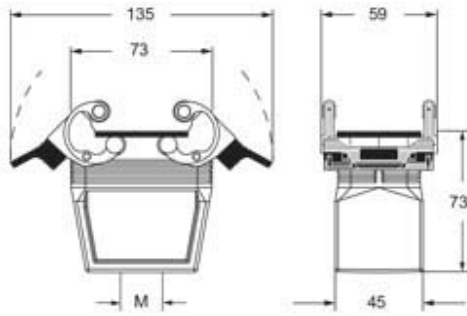
Product description		Material properties	
Product type	Hood	Colour	RAL 7040 grey
Series	C-TYPE	RoHs conformity	Compliant
Closing type	With 2 levers	China RoHs - EFUP	E
Size	Size "57.27"	REACH SVHC substances	No
Cable entry	Top cable entry M40	Approvals / Standards	
Specification	High construction	Certifications	DNV, BV
Technical data		UL	ECBT2
IP degree of protection	IP65 / IP66 / IP69	cUL	ECBT8
Further technical details		General ordering information	
Weight	277,00 g	EAN13 code	8015747234917
Operating temperature range (min, max)	-40°C...+125°C	eCl@ss 8.1	27440202
		ETIM 7.0	EC000437
		Packaging Information	
		Sub-packaging weight	1,39 kg
		Sub-packaging description	Plastic packaging
		Sub-packaging quantity	5 Pcs
		Sub-packaging EAN barcode	8015747235044

Part number

MFV 10 G40



Catalogue drawings



Notes

Dimensions shown in mm are not binding and may be changed without notice.
