

Part number

MBV 24.332



Hood, BIG series, with 4 pegs, M32 x 3 3 top cable entries, size "104.27"

Product description

| | |
|---------------------|--------------------------------|
| Product type | Hood |
| Series | BIG |
| Closing type | With 4 pegs |
| Size | Size "104.27" |
| Cable entry | 3 top cable entries M32 x 3 |

Technical data

| | |
|--------------------------------|------|
| IP degree of protection | IP66 |
|--------------------------------|------|

Further technical details

| | |
|---|----------------|
| Weight | 671,50 g |
| Operating temperature range (min, max) | -40°C...+125°C |

Material properties

| | |
|------------------------------|---------------|
| Colour | RAL 7040 grey |
| RoHs conformity | Compliant |
| China RoHs - EFUP | E |
| REACH SVHC substances | No |

Approvals / Standards

| | |
|-----------------------|---------|
| Certifications | DNV, BV |
| UL | ECBT2 |
| cUL | ECBT8 |

General ordering information

| | |
|-------------------|---------------|
| EAN13 code | 8015747187084 |
| eCl@ss 8.1 | 27440202 |
| ETIM 7.0 | EC000437 |

Packaging Information

| | |
|----------------------------------|----------------------|
| Packaging length | 160,00 mm |
| Packaging height | 130,00 mm |
| Packaging width | 270,00 mm |
| Packaging weight | 2,83 kg |
| Packaging volume | 5,62 dm ³ |
| Packaging description | Carton box |
| Packaging quantity | 4 Pcs |
| Packaging EAN code | 8015747220934 |
| Sub-packaging weight | 0,71 kg |
| Sub-packaging description | Plastic packaging |
| Sub-packaging quantity | 1 Pcs |
| Sub-packaging EAN barcode | 8015747040044 |

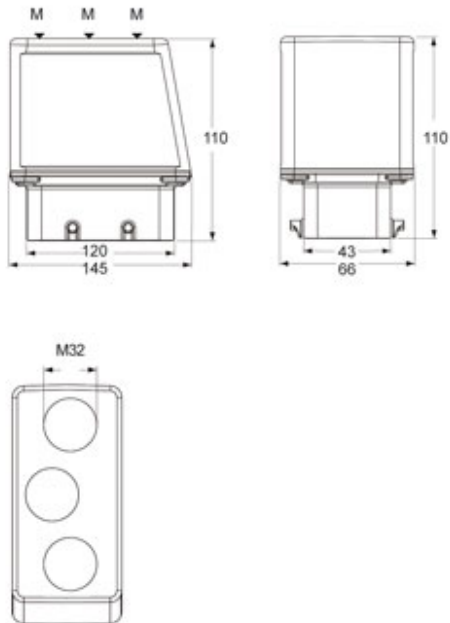
Part number

MBV 24.332



Catalogue drawings

MBV 24.332



Notes

Dimensions shown in mm are not binding and may be changed without notice.
