

Part number

MBV 06 L225



Hood, BIG series, with 2 pegs, M25 x 2 double top cable entry, size "44.27"

Product description

Product type	Hood
Series	BIG
Closing type	With 2 pegs
Size	Size "44.27"
Cable entry	Double top cable entry with adapter M25 x 2

Technical data

IP degree of protection	IP66
--------------------------------	------

Further technical details

Contact resistance	≤ 3 mΩ
Weight	400,00 g
Operating temperature range (min, max)	-40°C...+125°C
Conductors stripping length	6 - 8 mm
Torque for main contact	M2,5: 0.4 Nm; 3.5 lb.in (0,5 x 3mm)
Tightening torque for PE connection	M4: 1,2 Nm, 10,6 lb.in (Ph2 or 1,0x5,5mm)
Tightening torque for fixing screws	M3: 0.5 Nm; 4.4 lb.in (Ph1 or 0.8x4 mm)

Material properties

Colour	RAL 7040 grey
RoHs conformity	Compliant
China RoHs - EFUP	E
REACH SVHC substances	No

Approvals / Standards

Certifications	DNV, BV
UL	ECBT2
cUL	ECBT8

General ordering information

EAN13 code	8015747186902
eCl@ss 8.1	27440202
ETIM 7.0	EC000437

Packaging Information

Packaging weight	1,62 kg
Packaging volume	3,51 dm ³
Packaging description	Carton box
Packaging quantity	4 Pcs
Packaging EAN code	8015747220781
Sub-packaging weight	0,41 kg
Sub-packaging description	Plastic packaging
Sub-packaging quantity	1 Pcs
Sub-packaging EAN barcode	8015747035743

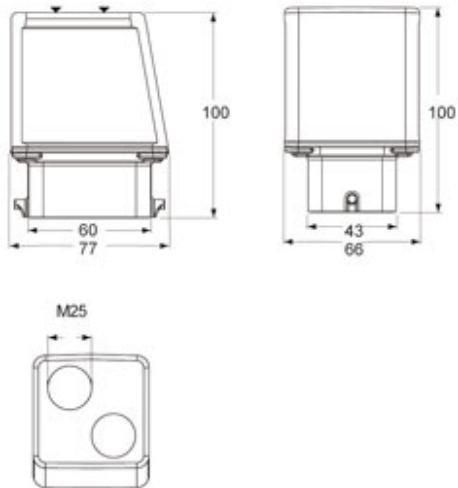
Part number

MBV 06 L225



Catalogue drawings

MBV 06 L225



Notes

Dimensions shown in mm are not binding and may be changed without notice.
