

Part number

MBO 06 L50



Hood, BIG series, with 2 pegs, M50 side cable entry, size "44.27"

Product description

Product type	Hood
Series	BIG
Closing type	With 2 pegs
Size	Size "44.27"
Cable entry	Side cable entry with adapter M50

Technical data

IP degree of protection	IP66
--------------------------------	------

Further technical details

Weight	383,00 g
Operating temperature range (min, max)	-40°C...+125°C

Material properties

Colour	RAL 7040 grey
RoHs conformity	Compliant
China RoHs - EFUP	E
REACH SVHC substances	No

Approvals / Standards

Certifications	DNV, BV
UL	ECBT2
cUL	ECBT8

General ordering information

EAN13 code	8015747186926
eCl@ss 8.1	27440202
ETIM 7.0	EC000437

Packaging Information

Packaging weight	1,65 kg
Packaging volume	3,51 dm ³
Packaging description	Carton box
Packaging quantity	4 Pcs
Packaging EAN code	8015747188739
Sub-packaging weight	0,41 kg
Sub-packaging description	Plastic packaging
Sub-packaging quantity	1 Pcs
Sub-packaging EAN barcode	8015747035835

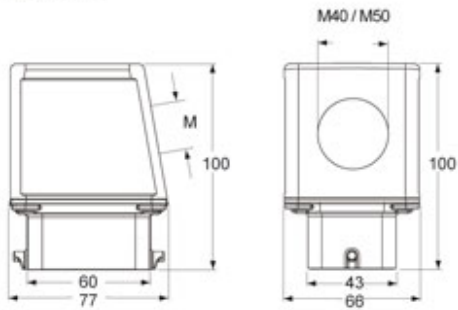
Part number

MBO 06 L50



Catalogue drawings

MBO 06 L



Notes

Dimensions shown in mm are not binding and may be changed without notice.