

Part number

MAVR 06 L32



Hood, 180 °C series, with 2 pegs, M32 top cable entry, size "44.27", high construction

Product description

Product type	Hood
Series	180 °C
Closing type	With 2 pegs
Size	Size "44.27"
Cable entry	Top cable entry with adapter M32
Specification	High construction

Technical data

IP degree of protection	IP65 / IP66 / IP69
--------------------------------	--------------------

Further technical details

Weight	167,00 g
Operating temperature range (min, max)	-40°C ... +180°C

Material properties

RoHs conformity	Compliant
China RoHs - EFUP	E
REACH SVHC substances	No
SCIP number	15deaf78-e939-4401-a0b0-e2228ca32a03

Approvals / Standards

Certifications	DNV, BV
UL	ECBT2
cUL	ECBT8

General ordering information

EAN13 code	8015747151849
eCl@ss 8.1	27440202
ETIM 7.0	EC000437

Packaging Information

Sub-packaging weight	0,84 kg
Sub-packaging description	Plastic packaging
Sub-packaging quantity	5 Pcs
Sub-packaging EAN barcode	8015747167260

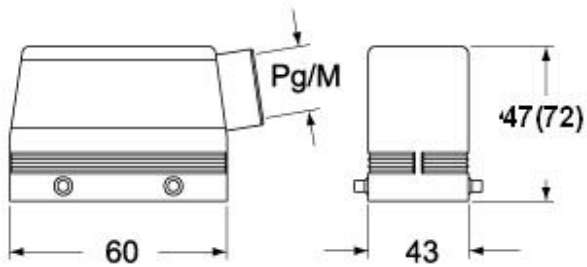
Part number

MAVR 06 L32

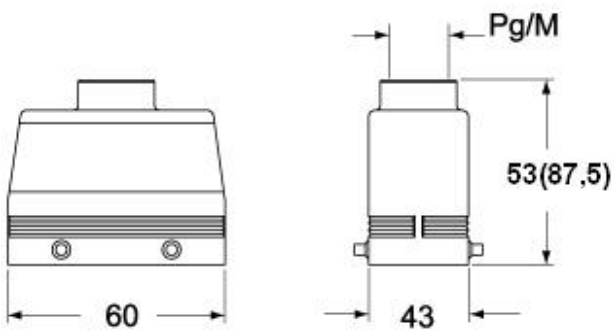


Catalogue drawings

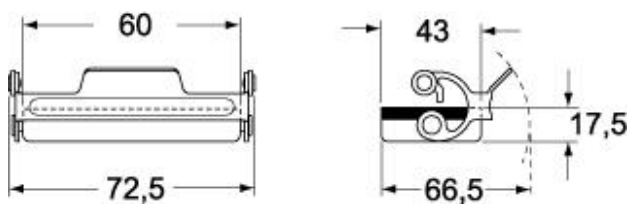
CHOW (CAOW) - MHOW (MAOW)



CAVW - MAVW



CZCR LG



Notes

ITEM NO LONGER AVAILABLE

Alternative products:
MFVR 06 L32

Dimensions shown in mm are not binding and may be changed without notice.