

Part number

MAV 16 X32



Hood, C-TYPE series, with 2 levers, M32 top cable entry, size "77.27", high construction, without gasket

Product description

Product type	Hood
Series	C-TYPE
Closing type	With 2 levers
Size	Size "77.27"
Cable entry	Top cable entry with adapter M32
Specification	High construction, without gasket

Technical data

IP degree of protection	IP65 / IP66 / IP69
--------------------------------	--------------------

Further technical details

Weight	305,00 g
Operating temperature range (min, max)	-40°C...+125°C

Material properties

Colour	RAL 7040 grey
RoHs conformity	Compliant
China RoHs - EFUP	E
REACH SVHC substances	No

Approvals / Standards

Certifications	DNV, BV
UL	ECBT2
cUL	ECBT8

General ordering information

EAN13 code	8015747052511
eCl@ss 8.1	27440202
ETIM 7.0	EC000437

Packaging Information

Packaging length	280,00 mm
Packaging height	140,00 mm
Packaging width	310,00 mm
Packaging weight	3,40 kg
Packaging volume	12,15 dm ³
Packaging description	Carton box
Packaging quantity	10 Pcs
Packaging EAN code	8015747232456
Sub-packaging weight	1,70 kg
Sub-packaging description	Plastic packaging
Sub-packaging quantity	5 Pcs
Sub-packaging EAN barcode	8015747052528

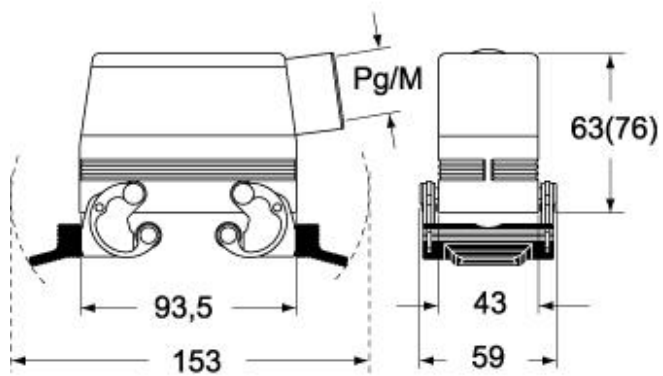
Part number

MAV 16 X32

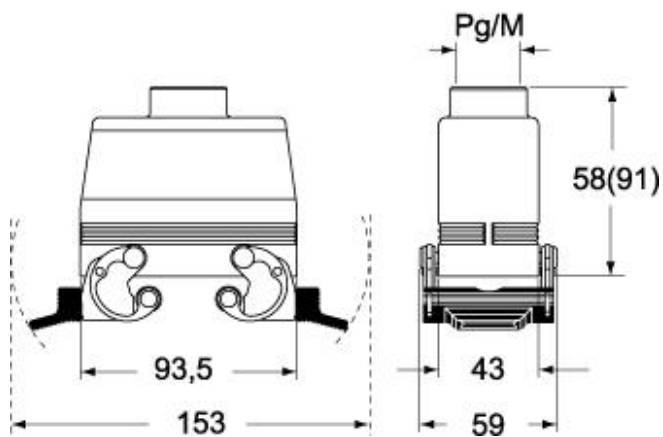


Catalogue drawings

CHO X (CAO X) - MHO X (MAO X)



CHV X (CAV X) - MHV X (MAV X)



Notes

Dimensions shown in mm are not binding and may be changed without notice.
