

Part number

MAPS 06LS232



Surface mounting housing, EMC series, with 1 lever, M32 x 2 cable entry, size "44.27", high construction, with metal cover

Product description		Material properties	
Product type	Surface mounting housing	RoHs conformity	Compliant
Series	EMC	China RoHs - EFUP	E
Closing type	With 1 lever	REACH SVHC substances	No
Size	Size "44.27"	Approvals / Standards	
Cable entry	M32 x 2	Certifications	DNV, BV
Specification	High construction, with metal cover	UL	ECBT2
Technical data		cUL	ECBT8
IP degree of protection	IP65 / IP66 / IP69	General ordering information	
Further technical details		EAN13 code	8015747101110
Weight	320,00 g	Packaging Information	
Operating temperature range (min, max)	-40°C...+125°C	Packaging length	475,00 mm
		Packaging height	200,00 mm
		Packaging width	150,00 mm
		Packaging weight	3,32 kg
		Packaging volume	14,25 dm ³
		Packaging description	Carton box
		Packaging quantity	10 Pcs
		Packaging EAN code	8015747249584
		Sub-packaging weight	1,66 kg
		Sub-packaging description	Plastic packaging
		Sub-packaging quantity	5 Pcs
		Sub-packaging EAN barcode	8015747249591

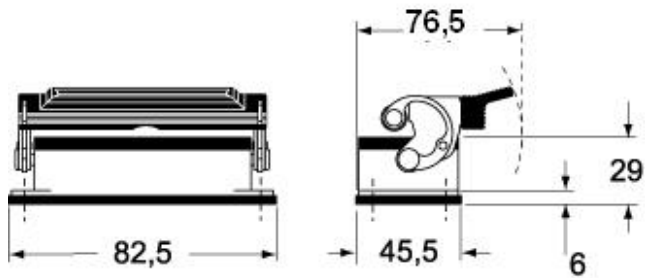
Part number

MAPS 06LS232

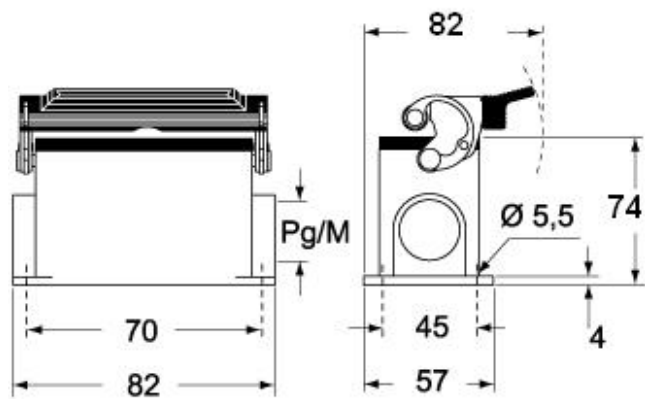


Catalogue drawings

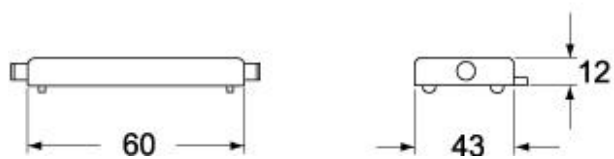
CHIS L



CAPS L - MAPS L



CHCS L



Notes

Dimensions shown in mm are not binding and may be changed without notice.