

Part number

MAPR 24.32



Surface mounting housing, 180 °C series, with 2 levers, M32 cable entry, size "104.27", high construction

Product description

Product type	Surface mounting housing
Series	180 °C
Closing type	With 2 levers
Size	Size "104.27"
Cable entry	M32
Specification	High construction

Technical data

IP degree of protection	IP65 / IP66 / IP69
--------------------------------	--------------------

Further technical details

Weight	490,00 g
Operating temperature range (min, max)	-40°C ... +180°C

Material properties

RoHs conformity	Compliant
China RoHs - EFUP	E
REACH SVHC substances	No

Approvals / Standards

Certifications	DNV, BV
UL	ECBT2
cUL	ECBT8

General ordering information

EAN13 code	8015747112468
eCl@ss 8.1	27440202
ETIM 7.0	EC000437

Packaging Information

Packaging length	475,00 mm
Packaging height	220,00 mm
Packaging width	200,00 mm
Packaging weight	5,52 kg
Packaging volume	20,90 dm ³
Packaging description	Carton box
Packaging quantity	10 Pcs
Packaging EAN code	8015747250214
Sub-packaging weight	2,76 kg
Sub-packaging description	Plastic packaging
Sub-packaging quantity	5 Pcs
Sub-packaging EAN barcode	8015747112482

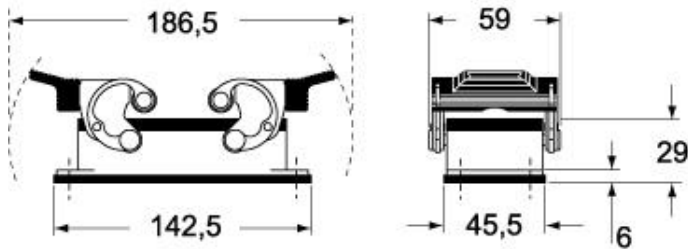
Part number

MAPR 24.32

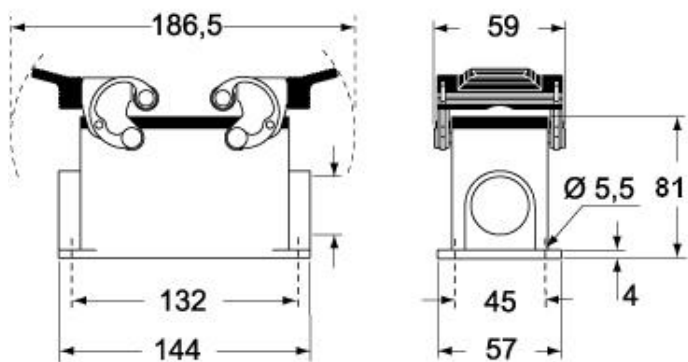


Catalogue drawings

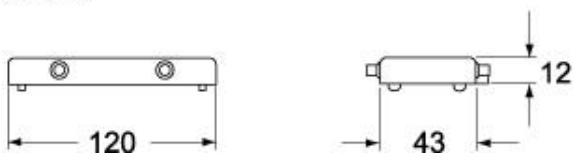
CHIR



CAPR - MAPR



CHCR



Notes

ITEM NO LONGER AVAILABLE

Alternative products:
MVAPR 24.32

Dimensions shown in mm are not binding and may be changed without notice.
