

Part number

MAPR 10.32



Surface mounting housing, 180 °C series, with 2 levers, M32 cable entry, size "57.27", high construction

Product description

Product type	Surface mounting housing
Series	180 °C
Closing type	With 2 levers
Size	Size "57.27"
Cable entry	M32
Specification	High construction

Technical data

IP degree of protection	IP65 / IP66 / IP69
--------------------------------	--------------------

Further technical details

Weight	380,00 g
Operating temperature range (min, max)	-40°C ... +180°C

Material properties

RoHs conformity	Compliant
China RoHs - EFUP	E
REACH SVHC substances	No

Approvals / Standards

Certifications	DNV, BV
UL	ECBT2
cUL	ECBT8

General ordering information

EAN13 code	8015747116084
eCl@ss 8.1	27440202
ETIM 7.0	EC000437

Packaging Information

Packaging length	475,00 mm
Packaging height	200,00 mm
Packaging width	150,00 mm
Packaging weight	4,10 kg
Packaging volume	14,25 dm ³
Packaging description	Carton box
Packaging quantity	10 Pcs
Packaging EAN code	8015747249171
Sub-packaging weight	2,05 kg
Sub-packaging description	Plastic packaging
Sub-packaging quantity	5 Pcs
Sub-packaging EAN barcode	8015747116121

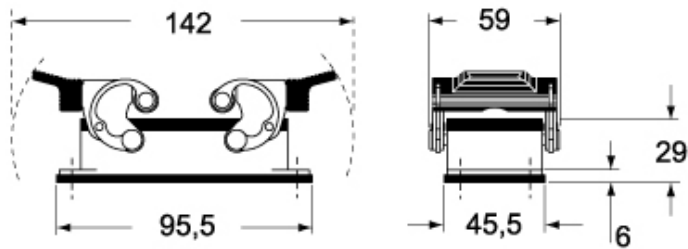
Part number

MAPR 10.32

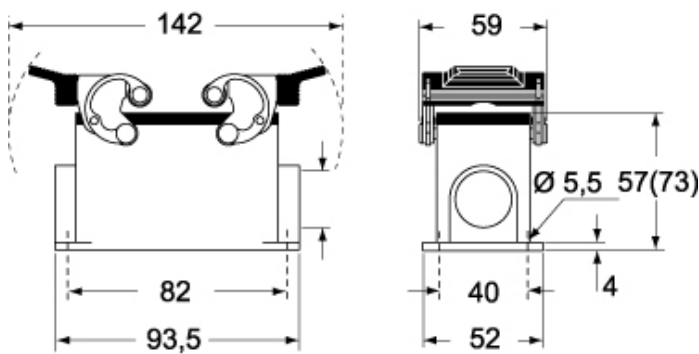


Catalogue drawings

CHIR



CHPR (CAPR) - MHPR (MAPR)



CHCR



Notes

ITEM NO LONGER AVAILABLE

Alternative products:
MVAPR 10.32

Dimensions shown in mm are not binding and may be changed without notice.
