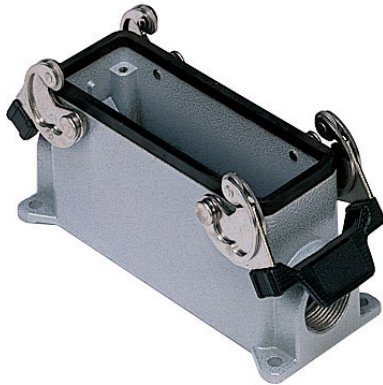


Part number

# MAP 24.232



Surface mounting housing, C-TYPE series, with 2 levers, M32 x 2 cable entry, size "104.27", high construction

<b>Product description</b>		<b>Material properties</b>	
<b>Product type</b>	Surface mounting housing	<b>Colour</b>	RAL 7040 grey
<b>Series</b>	C-TYPE	<b>RoHs conformity</b>	Compliant
<b>Closing type</b>	With 2 levers	<b>China RoHs - EFUP</b>	E
<b>Size</b>	Size "104.27"	<b>REACH SVHC substances</b>	No
<b>Cable entry</b>	M32 x 2	<b>Approvals / Standards</b>	
<b>Specification</b>	High construction	<b>Certifications</b>	DNV, BV
<b>Technical data</b>		<b>UL</b>	ECBT2
<b>IP degree of protection</b>	IP65 / IP66 / IP69	<b>cUL</b>	ECBT8
<b>Further technical details</b>		<b>General ordering information</b>	
<b>Weight</b>	500,00 g	<b>EAN13 code</b>	8015747051972
<b>Operating temperature range (min, max)</b>	-40°C...+125°C	<b>eCl@ss 8.1</b>	27440202
		<b>ETIM 7.0</b>	EC000437
		<b>Packaging Information</b>	
		<b>Packaging length</b>	475,00 mm
		<b>Packaging height</b>	220,00 mm
		<b>Packaging width</b>	200,00 mm
		<b>Packaging weight</b>	5,00 kg
		<b>Packaging volume</b>	20,90 dm <sup>3</sup>
		<b>Packaging description</b>	Carton box
		<b>Packaging quantity</b>	10 Pcs
		<b>Packaging EAN code</b>	8015747248709
		<b>Sub-packaging weight</b>	2,50 kg
		<b>Sub-packaging description</b>	Plastic packaging
		<b>Sub-packaging quantity</b>	5 Pcs
		<b>Sub-packaging EAN barcode</b>	8015747051989

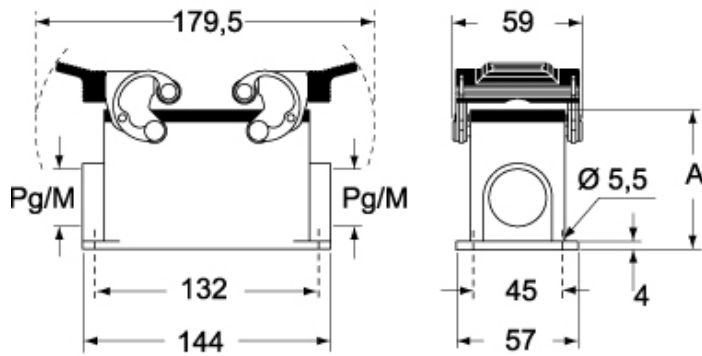
Part number

# MAP 24.232

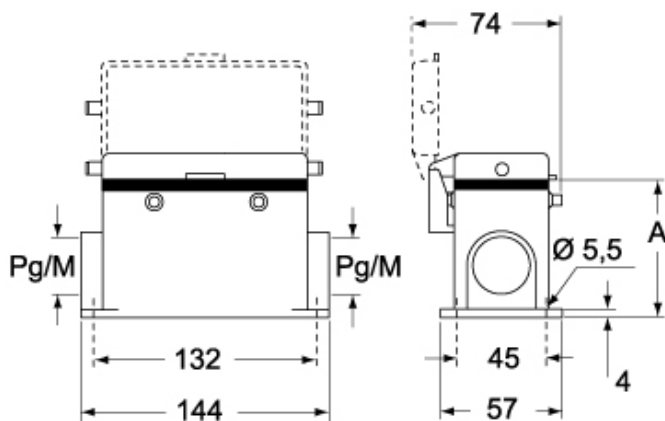


Catalogue drawings

## CHP CAP - MHP MAP



## CHP CS/CP CAP CS/CP - MHP CS/CP MAP CS/CP



	<b>A</b>
<b>CHP / MHP</b>	63
<b>CAP / MAP</b>	80
<b>CHP CS / MHP CS</b>	63
<b>CAP CS / MAP CS</b>	80
<b>CHP CP / MHP CP</b>	63
<b>CAP CP / MAP CP</b>	80

## Notes

Dimensions shown in mm are not binding and may be changed without notice.