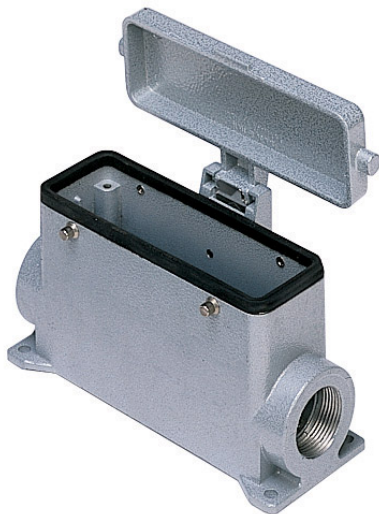


Part number

MAP 24 CS232



Surface mounting housing, C-TYPE series, with 4 pegs, M32 x 2 cable entry, size "104.27", high construction, with metal cover

Product description		Material properties	
Product type	Surface mounting housing	Colour	RAL 7040 grey
Series	C-TYPE	RoHs conformity	Compliant
Closing type	With 4 pegs	China RoHs - EFUP	E
Size	Size "104.27"	REACH SVHC substances	No
Cable entry	M32 x 2		
Specification	High construction, with metal cover		
Technical data		Approvals / Standards	
IP degree of protection	IP65 / IP66 / IP69	Certifications	DNV, BV
		UL	ECBT2
		cUL	ECBT8
Further technical details		General ordering information	
Weight	478,00 g	EAN13 code	8015747051750
Operating temperature range (min, max)	-40°C...+125°C	eCl@ss 8.1	27440202
		ETIM 7.0	EC000437
		Packaging Information	
		Packaging length	475,00 mm
		Packaging height	220,00 mm
		Packaging width	200,00 mm
		Packaging weight	5,40 kg
		Packaging volume	20,90 dm ³
		Packaging description	Carton box
		Packaging quantity	10 Pcs
		Packaging EAN code	8015747244985
		Sub-packaging weight	2,70 kg
		Sub-packaging description	Plastic packaging
		Sub-packaging quantity	5 Pcs
		Sub-packaging EAN barcode	8015747244992

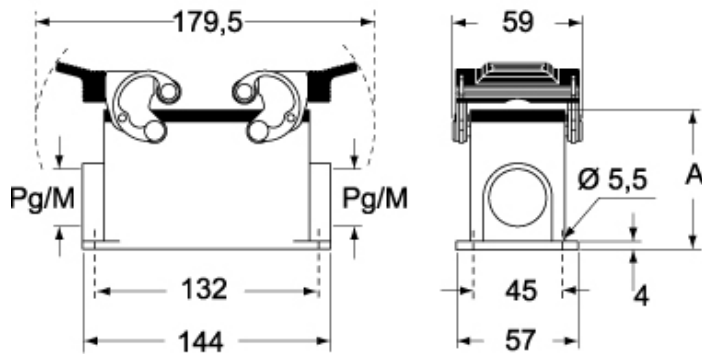
Part number

MAP 24 CS232

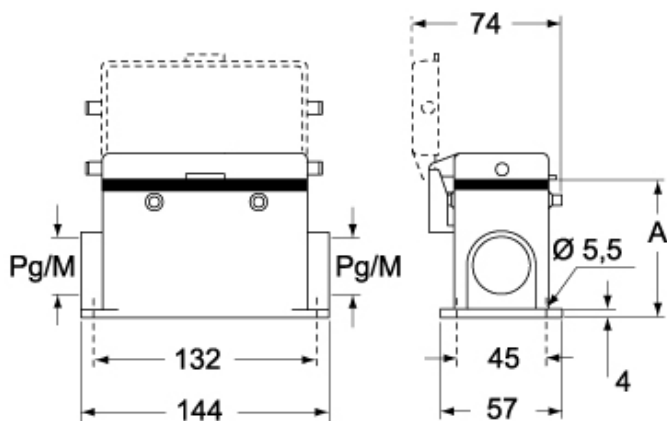


Catalogue drawings

CHP CAP - MHP MAP



CHP CS/CP CAP CS/CP - MHP CS/CP MAP CS/CP



	A
CHP / MHP	63
CAP / MAP	80
CHP CS / MHP CS	63
CAP CS / MAP CS	80
CHP CP / MHP CP	63
CAP CP / MAP CP	80

Notes

Dimensions shown in mm are not binding and may be changed without notice.