

Part number

# MAP 16 LS32



Surface mounting housing, C-TYPE series, with 1 lever, M32 cable entry, size "77.27", high construction, with metal cover

## Product description

|                      |                                     |
|----------------------|-------------------------------------|
| <b>Product type</b>  | Surface mounting housing            |
| <b>Series</b>        | C-TYPE                              |
| <b>Closing type</b>  | With 1 lever                        |
| <b>Size</b>          | Size "77.27"                        |
| <b>Cable entry</b>   | M32                                 |
| <b>Specification</b> | High construction, with metal cover |

## Technical data

|                                |                    |
|--------------------------------|--------------------|
| <b>IP degree of protection</b> | IP65 / IP66 / IP69 |
|--------------------------------|--------------------|

## Further technical details

|   |                |
|---|----------------|
| <b>Weight</b>                                 | 475,00 g       |
| <b>Operating temperature range (min, max)</b> | -40°C...+125°C |

## Material properties

|                              |               |
|------------------------------|---------------|
| <b>Colour</b>                | RAL 7040 grey |
| <b>RoHs conformity</b>       | Compliant     |
| <b>China RoHs - EFUP</b>     | E             |
| <b>REACH SVHC substances</b> | No            |

## Approvals / Standards

|                       |         |
|-----------------------|---------|
| <b>Certifications</b> | DNV, BV |
| <b>UL</b>             | ECBT2   |
| <b>cUL</b>            | ECBT8   |

## General ordering information

|                   |               |
|-------------------|---------------|
| <b>EAN13 code</b> | 8015747051583 |
| <b>eCl@ss 8.1</b> | 27440202      |
| <b>ETIM 7.0</b>   | EC000437      |

## Packaging Information

|                                  |                       |
|----------------------------------|-----------------------|
| <b>Packaging length</b>          | 475,00 mm             |
| <b>Packaging height</b>          | 220,00 mm             |
| <b>Packaging width</b>           | 175,00 mm             |
| <b>Packaging weight</b>          | 4,75 kg               |
| <b>Packaging volume</b>          | 18,29 dm <sup>3</sup> |
| <b>Packaging description</b>     | Carton box            |
| <b>Packaging quantity</b>        | 10 Pcs                |
| <b>Packaging EAN code</b>        | 8015747244800         |
| <b>Sub-packaging weight</b>      | 2,38 kg               |
| <b>Sub-packaging description</b> | Plastic packaging     |
| <b>Sub-packaging quantity</b>    | 5 Pcs                 |
| <b>Sub-packaging EAN barcode</b> | 8015747244817         |

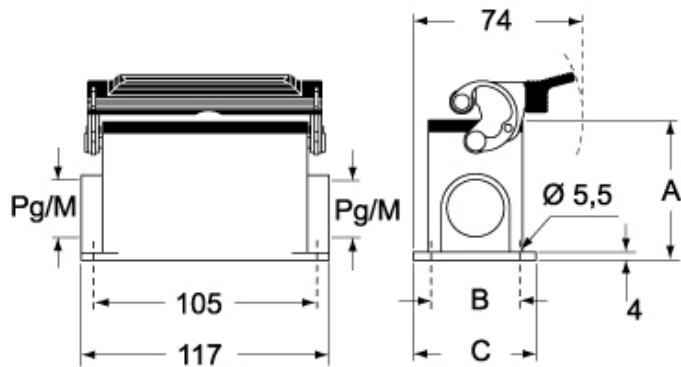
Part number

# MAP 16 LS32

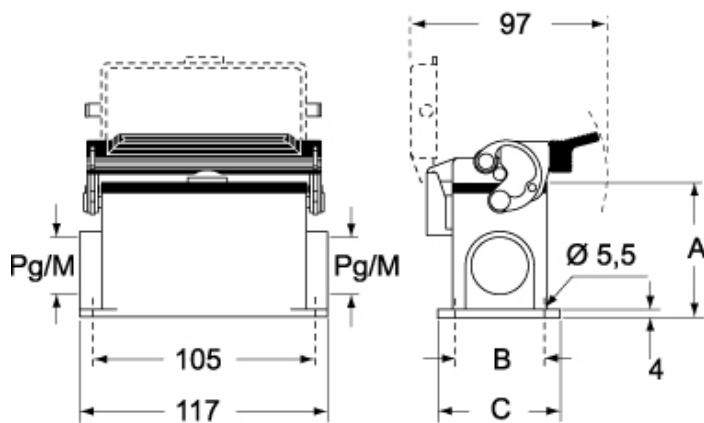


Catalogue drawings

## CHP L CAP L - MHP L MAP L



## CHP LS CAP LS - MHP LS MAP LS



|                        | <b>A</b> |
|------------------------|----------|
| <b>CHP L / MHP L</b>   | 63       |
| <b>CAP L / MAP L</b>   | 77       |
| <b>CHP LS / MHP LS</b> | 63       |
| <b>CAP LS / MAP LS</b> | 77       |

## Notes

Dimensions shown in mm are not binding and may be changed without notice.