

## Han 48HPR mounting cover-PVD 1to2-3xM32

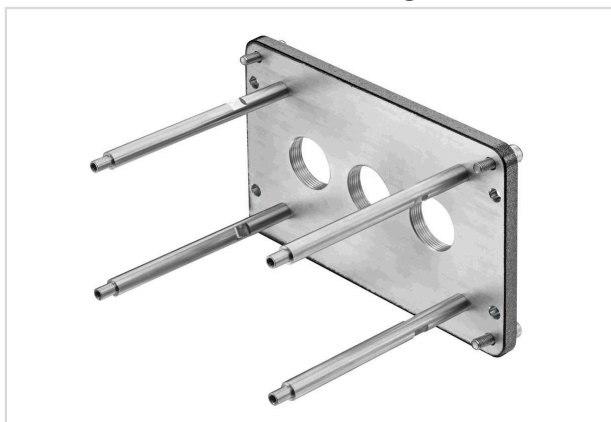


Image is for illustration purposes only. Please refer to product description.

|                    |   |
|--------------------|---|
| Part number        | 19 40 148 9828  |
| Specification      | Han 48HPR mounting cover-PVD<br>1to2-3xM32  |
| HARTING eCatalogue | <a href="https://b2b.harting.com/19401489828">https://b2b.harting.com/19401489828</a> |

### Identification

|                             |                          |
|-----------------------------|--------------------------|
| Category                    | Hoods/Housings           |
| Series of hoods/housings    | Han <sup>®</sup> HPR PYD |
| Type of hood/housing        | Mounting cover           |
| Description of hood/housing | Distance bolt M6         |

### Version

|                      |   |
|----------------------|---|
| Size                 | 48 B  |
| Cable entry          | 3x M32  |
| Locking type         | Screw locking                                 |
| Field of application | Hoods/housings for harsh outdoor environments |

### Technical characteristics

|  |  |
|--|--|
| Tightening torque (screw locking)      | 4 Nm   |
| Tightening torque                      | 4 Nm Distance bolt                             |
| Limiting temperature                   | -40 ... +125 °C                                |
| Note on the limiting temperature       | For use as a connector according to IEC 61984. |
| Degree of protection acc. to IEC 60529 | IP65<br>IP68<br>IP69 / IPX9K acc. to ISO 20653 |

### Material properties

|                         |                                  |
|-------------------------|----------------------------------|
| Material (hood/housing) | Aluminium<br>Corrosion resistant |
| Surface (hood/housing)  | Powder-coated                    |



**Pushing Performance**  
Since 1945

## Material properties

|                       |                      |
|-----------------------|----------------------|
| Colour (hood/housing) | RAL 9005 (jet black) |
|-----------------------|----------------------|

## Specifications and approvals

|    |     |
|----|-----|
| CE | Yes |
|----|-----|

## Commercial data

|                                |  |
|--------------------------------|--|
| Packaging size                 | 1  |
| Net weight                     | 921 g                                    |
| Country of origin              | China                                    |
| European customs tariff number | 85389099                                 |
| GTIN                           | 5713140173606                            |
| eCl@ss                         | 27440202 Shell for industrial connectors |