

Han 16HP Direct/B-HTE-M20

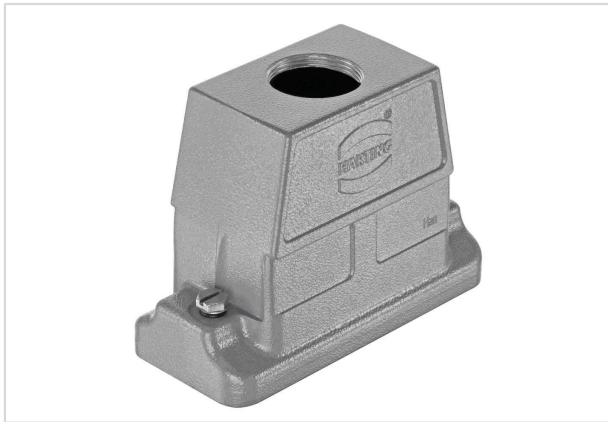


Image is for illustration purposes only. Please refer to product description.

Part number	19 39 616 0445
Specification	Han 16HP Direct/B-HTE-M20
HARTING eCatalogue	https://b2b.harting.com/19396160445

Identification

Category	Hoods/Housings
Series of hoods/housings	Han® HP Direct B
Type of hood/housing	Hood

Version

Size	16 B
Version	Top entry
Cable entry	1x M20
Locking type	Screw locking

Technical characteristics

Tightening torque (screw locking)	4 Nm
Limiting temperature	-40 ... +125 °C
Note on the limiting temperature	For use as a connector according to IEC 61984.
Degree of protection acc. to IEC 60529	IP66 IP68 IP69 / IPX9K acc. to ISO 20653

Material properties

Material (hood/housing)	Aluminium die-cast
Surface (hood/housing)	Powder-coated
Colour (hood/housing)	RAL 7037 (dust grey)
Material (seal)	NBR
Material (locking)	Stainless steel



Pushing Performance
Since 1945

Material properties

RoHS	compliant
ELV status	compliant
China RoHS	e
REACH Annex XVII substances	Not contained
REACH ANNEX XIV substances	Not contained
REACH SVHC substances	Not contained
California Proposition 65 substances	Yes
California Proposition 65 substances	Nickel Naphthalene
Fire protection on railway vehicles	EN 45545-2 (2020-08)
Requirement set with Hazard Levels	R1 (HL 1-3) R7 (HL 1-3)

Specifications and approvals

Specifications	IEC 60664-1 IEC 61984
CE	Yes

Commercial data

Packaging size	1
Net weight	340 g
Country of origin	China
European customs tariff number	85389099
GTIN	5713140182431
eCl@ss	27440202 Shell for industrial connectors